

SHALLCO SERIES 3 SANP ACTION SWITCH



PART NUMBER 3C08-3

GENERAL: MEETS THE REQUIREMENTS FOR 10 TO 30 AMPERES OF SWITCHING OF RESISTIVE LOADS TO .75 POWER FACTOR AT VOLTAGES TO 480 VAC AND 250 VDC

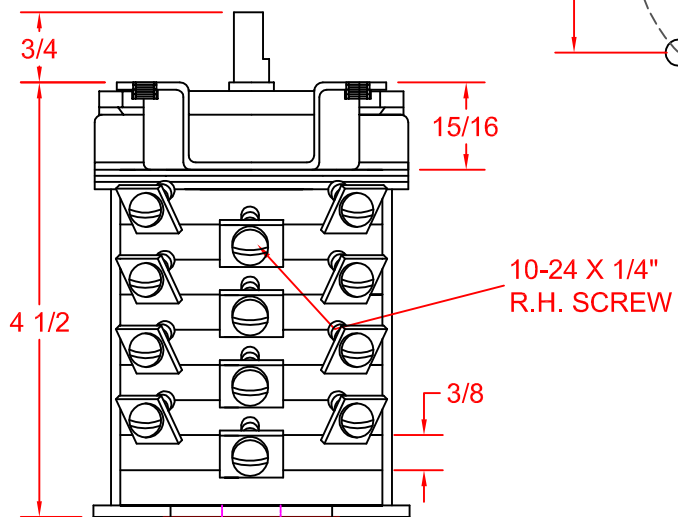
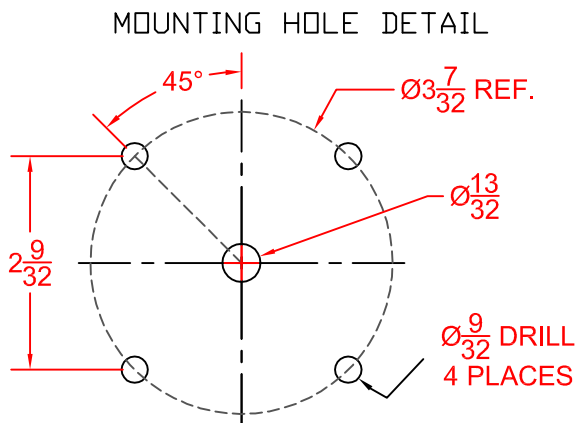
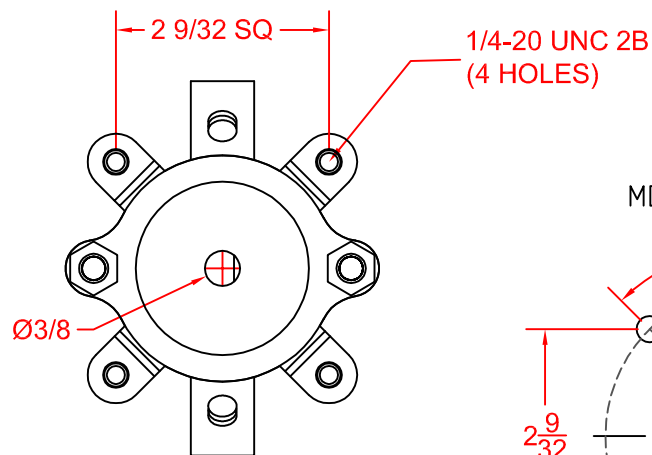
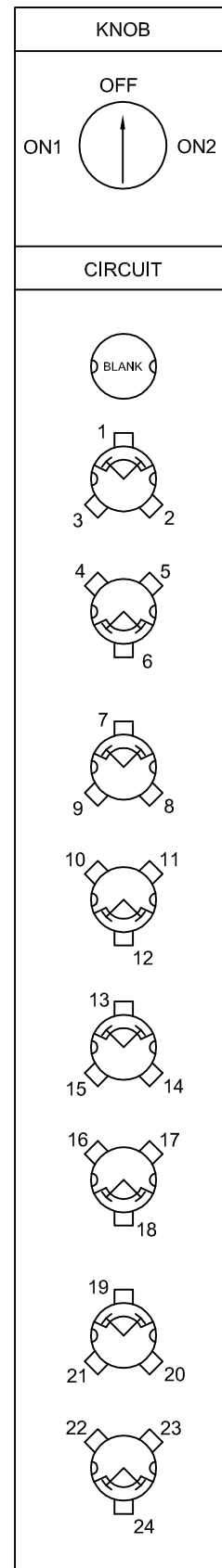
ELECTRICAL:

VOLTAGE: 480 VAC, 250 VDC
 CARRYING CAPACITY: 45 AMPERES SWITCHING CAPACITY: UP TO 30 AMPERES
 DIELECTRIC WITHSTANDING VOLTAGE: 2500 VRMS INITIAL
 CONTACT RESISTANCE: 10 MILLIOHMS MAX. (4 MILLIOHMS AVERAGE)
 INSULATION RESISTANCE: 1000 MEGHOHMS MIN. INITIAL

MECHANICAL:

POLES: 8 POSITIONS: 3 (ON - OFF - ON)
 INDEXING: 90° CONTACTS: BREAK BEFORE MAKE
 TERMINAL TYPE: SCREW CONSTRUCTION: CLOSED

SUPPLIED WITH MOUNTING HARDWARE, TERMINAL SCREWS, AND KNOB



DESCRIPTION

3C08-3



308 COMPONENTS DRIVE
 SMITHFIELD, NC 27577 USA