

PART NUMBER 3E02-4

GENERAL: MEETS THE REQUIREMENTS FOR UP TO 30 AMPERES OF SWITCHING OF RESISTIVE LOADS TO .75 POWER FACTOR AT VOLTAGES TO 480 VAC AND 250 VDC

ELECTRICAL:

VOLTAGE: 480 VAC, 250 VDC

CARRYING CAPACITY: 45 AMPERES

SWITCHING CAPACITY: UP TO 30 AMPERES

DIELECTRIC WITHSTANDING VOLTAGE: 2500 Vrms ( INITIAL )

CONTACT RESISTANCE: 10 MILLIOHMS MAX.  
( 4 MILLIOHMS AVERAGE )

INSULATION RESISTANCE: 1000 MEGHOHMS MIN. ( INITIAL )

MECHANICAL:

POLES: 2

POSITIONS: 4 ( OFF - ON1 - ON2 - ON3 )

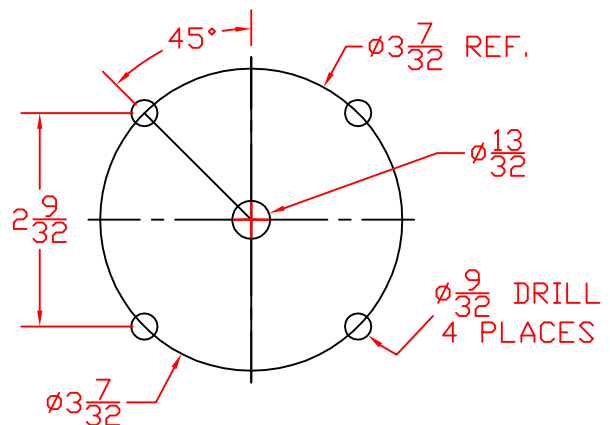
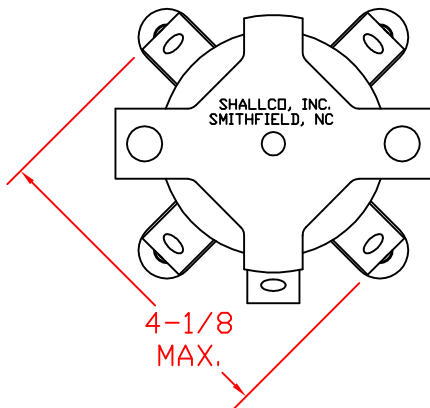
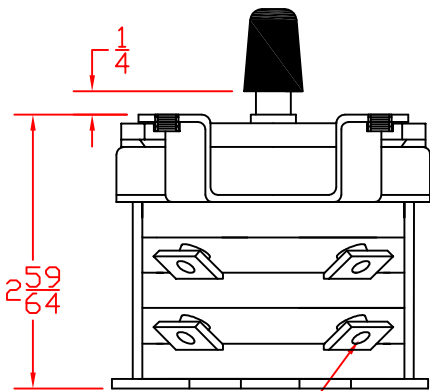
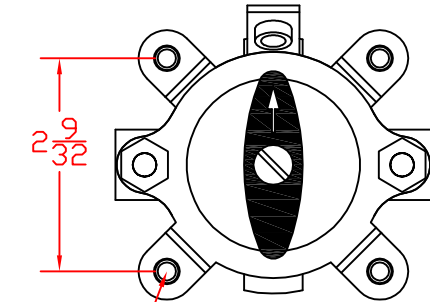
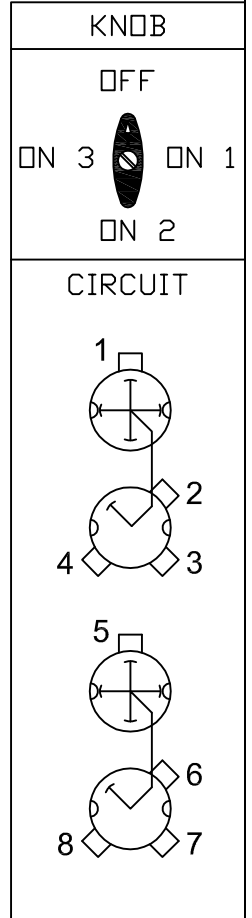
INDEXING: 90°

CONTACTS: BREAK BEFORE MAKE

TERMINAL TYPE: SCREW

CONSTRUCTION: CLOSED

SUPPLIED WITH MOUNTING HARDWARE, TERMINAL SCREWS, AND KNOB



MOUNTING HOLE DETAIL

DESCRIPTION

3E02-4