

# SHALLCO SERIES 26

**Part Number: 76204D**

**General:**

Meets requirements for 1 - 25 ampere switching of resistive loads to .75 power factor at voltages to 600 V AC and 250 V DC resistive loads

**Electrical:**

\* Ratings:



- 25A/120 VAC
- 15A/600 VAC
- 20A/600 VAC (RESISTIVE)
- 3A/125 VDC
- 1A/250 VDC



Positions: 3 (Spring return from Pos 1 and Pos 3 to Position 2 (Center))

- \* Current carrying capacity: 25 amperes
- \* Dielectric Withstanding Voltage: 2200 Vrms
- \* Contact Resistance: Initial, 10 milliohms max.
- \* Insulation Resistance: 100 Megohms min., initial

**Mechanical:**

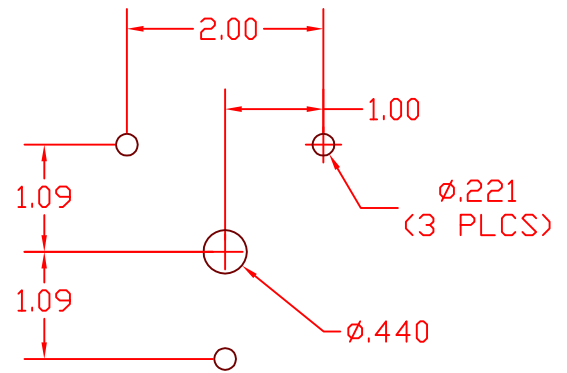
- \* Sections: 4
- \* Positions: 8 (adjustable)
- \* Indexing: 45°
- \* Rotational Life: 65,000 operations

**Materials and Finishes:**

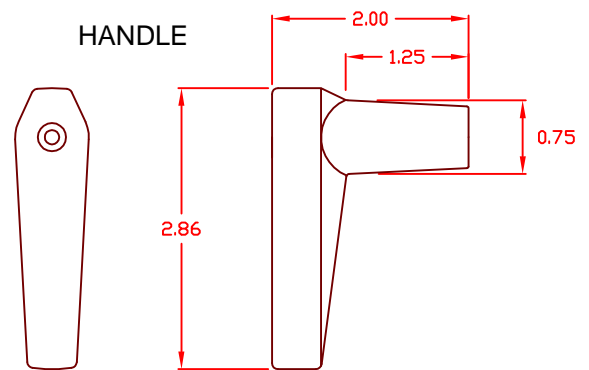
- \* Rotors and Stators: Thermoset Plastic, UL 94VO
- \* Rotor contacts: Phosphor bronze
- \* Stator contacts: Silver plated copper, screw type
- \* Terminal hardware: silver plated brass
- \* Exterior Metal: Steel with zinc chromate finish
- \* Knob: thermoset phenolic



308 COMPONENTS DRIVE  
SMITHFIELD, NC 27577 USA

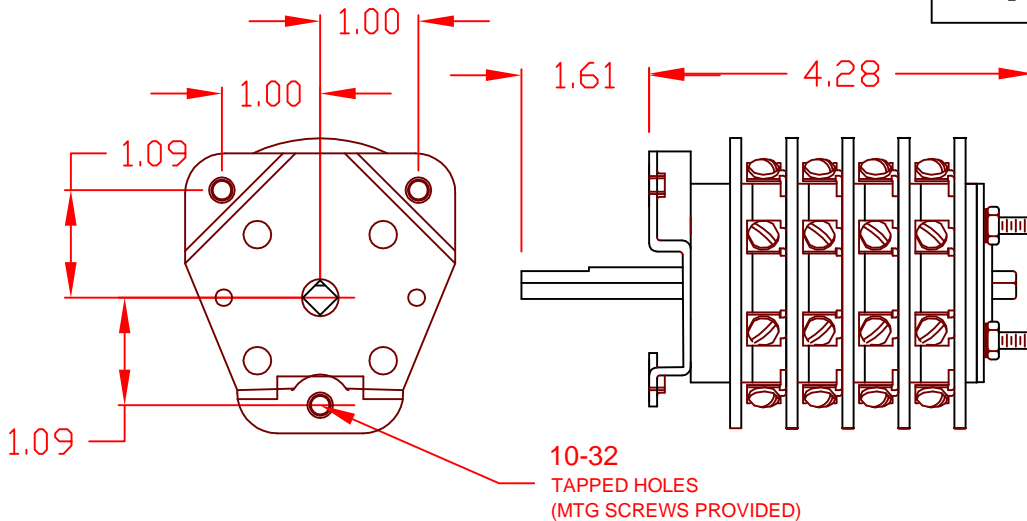


MOUNTING HOLE DETAIL



CONTACT TABLE

DECK	CONTACTS	POS		
		1	2	3
1	18 --- 11			
	11 --- 12			
	12 --- 13			
	14 --- 15			
	15 --- 16			
	16 --- 17			
	18 --- 19			
2	21 --- 22			
	22 --- 23			
	24 --- 25			
	25 --- 26			
	26 --- 27			
	28 --- 29			
	29 --- 30			
3	31 --- 32			
	32 --- 33			
	34 --- 35			
	35 --- 36			
	36 --- 37			
	38 --- 39			
	39 --- 40			
4	41 --- 42			
	42 --- 43			
	44 --- 45			
	45 --- 46			
	46 --- 47			
	48 --- 49			
	49 --- 50			



76204D (SET FOR 3 POS)



308 COMPONENTS DRIVE  
SMITHFIELD, NC 27577 USA