

SHALLCO SERIES 26
Part Number: 76203D 120VACAXC

General:

Meets requirements for 1 - 25 ampere switching of resistive loads to .75 power factor at voltages to 600 VAC and 250 VDC resistive loads

Electrical:

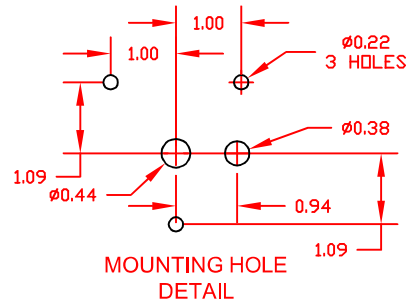
- * Voltages: 250 V DC, 600 VAC
- * Current carrying capacity: 25 amperes
- * Dielectric Withstanding Voltage: 2200 Vrms
- * Contact Resistance: Initial, 10 milliohms max.
- * Insulation Resistance: 100 Megohms min., initial
- * Switch is supplied with a lighted escutcheon plate:
Input voltage: 120 - 130 VAC
Wiring: As shown

Mechanical:

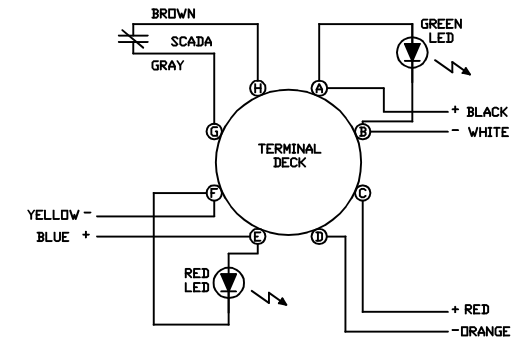
- * Sections: 3
- * Positions: 2, Spring Return to Center (Off)
- * Indexing: 45°
- * Rotational Life: 65,000 operations

Materials and Finishes:

- * Rotors and Stators: Thermoset Plastic, UL 94VO
- * Rotor contacts: Phosphor bronze
- * Stator contacts: Silver plated copper, screw type
- * Terminal hardware: silver plated brass
- * Exterior Metal: Steel with zinc chromate finish
- * Knob: thermoset phenolic



| DECK | CONTACT | POSITION | | |
|---------|---------|----------|--------|-------|
| | | TRIP | NORMAL | CLOSE |
| 1 | 18 - 11 | X | | |
| | 11 - 12 | | X | |
| | 12 - 13 | | | X |
| | 14 - 15 | X | | |
| | 15 - 16 | | X | |
| 2 | 16 - 17 | | | X |
| | 28 - 21 | X | | |
| | 21 - 22 | | X | |
| | 22 - 23 | | | X |
| | 24 - 25 | X | | |
| 3 | 25 - 26 | | X | |
| | 26 - 27 | | | X |
| | 38 - 31 | X | | |
| | 31 - 32 | | X | |
| | 32 - 33 | | | X |
| | 34 - 35 | X | | |
| | 35 - 36 | | X | |
| 36 - 37 | | | X | |



HANDLE

