

# SHALLCO SERIES 26 SWITCH MOMENTARY SWITCHES

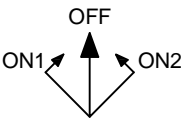


PART NUMBER: 76202D-3

**Electrical:**

- 15A/600 VAC
- 20A/600 VAC (RES)
- 25A/125 VAC
- 3A/125 VDC
- 1A/250 VDC

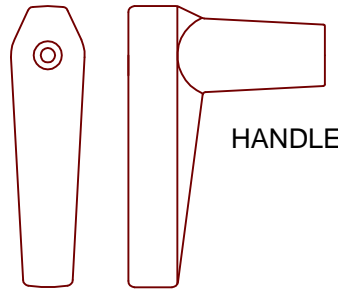
- \* Voltages: 250 V DC, 600 V AC
- \* Current carrying capacity: 25 amperes
- \* Dielectric Withstanding Voltage: 2200 Vrms
- \* Contact Resistance: Initial, 10 milliohms max.
- \* Insulation Resistance: 100 Megohms min., initial

DESCRIPTION	DECK	CONTACTS	POSITION		
			1	OFF	2
 <p>4 POLE DOUBLE THROW WITH "OFF" "ON1-OFF-ON2" (SPRING RETURN TO "OFF")</p> <p>JUMPERS REQUIRED FOR THIS CONFIGURATION</p>	1	11 — 18	X		
		12 — 13			X
		15 — 14	X		
		16 — 17			X
	2	21 — 28	X		
		22 — 23			X
		25 — 24	X		
		26 — 27			X

**Mechanical:**



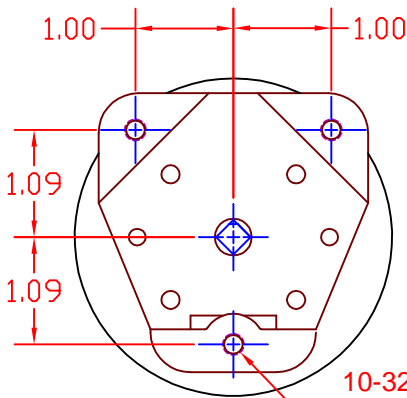
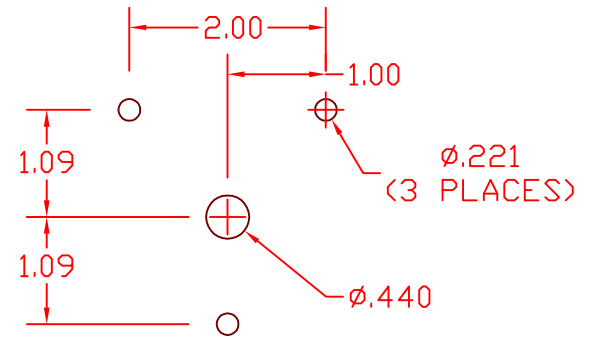
- \* Sections: 2
- \* Positions: 3
- \* Indexing: Spring return
- \* Handle: Pistol grip
- \* Rotational Life: 65,000 operations



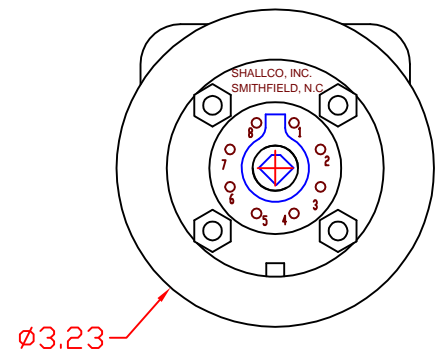
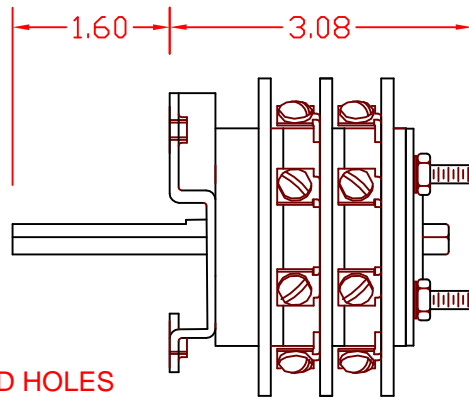
**Materials and Finishes:**

- \* Rotors and Stators: Thermoset Plastic, UL 94VO
- \* Rotor contacts: Phosphor bronze
- \* Stator contacts: Silver plated copper, screw type
- \* Terminal hardware: silver plated brass
- \* Exterior Metal: Steel with zinc chromate finish

MOUNTING HOLE DETAIL



10-32 TAPPED HOLES (MTG SCREWS PROVIDED)



DESCRIPTION	<b>76202D-3</b>
	
308 COMPONENTS DRIVE SMITHFIELD, NC 27577 USA	