

General:

Meets requirements for 1 - 25 ampere switching of resistive loads to .75 power factor at voltages to 600 V AC and 250 VDC resistive loads

Electrical:

- * Ratings: 25A/120 VAC
- 15A/600 VAC
- 20A/600 VAC (RESISTIVE)
- 3A/125 VDC
- 1A/250 VDC
- * Current carrying capacity: 25 amperes
- * Dielectric Withstanding Voltage: 2200 Vrms
- * Contact Resistance: Initial, 10 milliohms max.
- * Insulation Resistance: 100 Megohms min., initial



Mechanical:

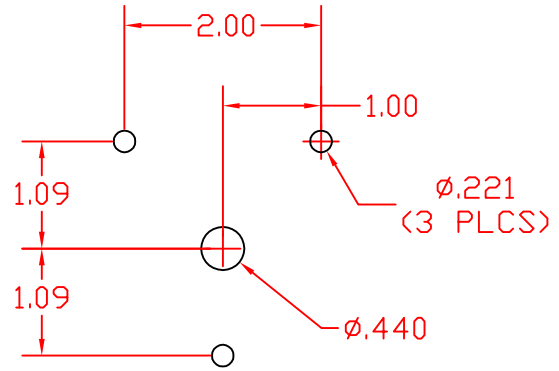
- * Sections: 6*
- * Positions: 2 (ON-ON)
- * Indexing: 45°
- * Rotational Life: 65,000 operations

Materials and Finishes:

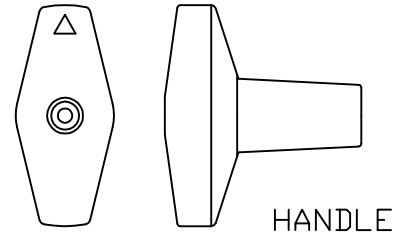
- * Rotors and Stators: Thermoset Plastic, UL 94VO
- * Rotor contacts: Phosphor bronze
- * Stator contacts: Silver plated copper, screw type
- * Terminal hardware: silver plated brass
- * Exterior Metal: Steel with zinc chromate finish
- * Knob: thermoset phenolic

CONTACT TABLE

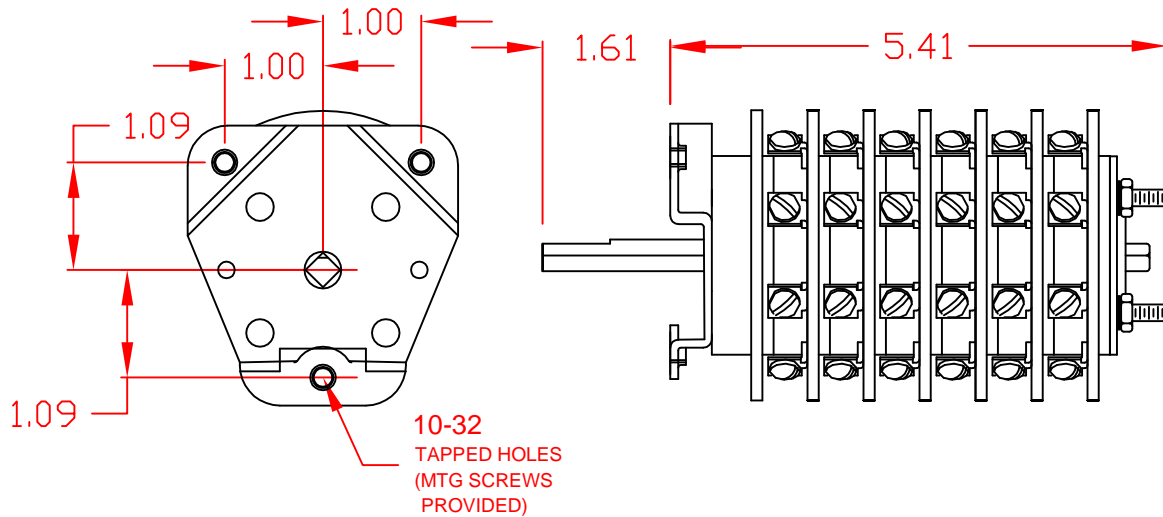
DECK	CONTACTS	POS.		DECK	CONTACTS	POS.	
		1	2			1	2
1	11-O-I-I-O13	X		4	41-O-I-I-O43	X	
	12-O-I-I-O14		X		42-O-I-I-O44		X
	15-O-I-I-O17	X			45-O-I-I-O47	X	
	16-O-I-I-O18		X		46-O-I-I-O48		X
2	21-O-I-I-O23	X		5	51-O-I-I-O53	X	
	22-O-I-I-O24		X		52-O-I-I-O54		X
	25-O-I-I-O27	X			55-O-I-I-O57	X	
	26-O-I-I-O28		X		56-O-I-I-O58		X
3	31-O-I-I-O33	X		6	61-O-I-I-O63	X	
	32-O-I-I-O34		X		62-O-I-I-O64		X
	35-O-I-I-O37	X			65-O-I-I-O67	X	
	36-O-I-I-O38		X		66-O-I-I-O68		X



MOUNTING HOLE DETAIL



HANDLE



26906B-2

REV. A