

**Electrical:**

- \* Ratings:
- 25A/120 VAC
- 15A/600 VAC
- 20A/600 VAC (RESISTIVE)
- 3A/125 VDC
- 1A/250 VDC



- Overload (50 OPERATIONS):
- 95A/120VAC
- 65A/240VAC
- 35A/600VAC

- \* Current carrying capacity: 25 amperes
- \* Dielectric Withstanding Voltage: 2200 Vrms
- \* Contact Resistance: Initial, 10 milliohms max.
- \* Insulation Resistance: 100 Megohms min., initial

**Mechanical:**

- \* Sections: 2
- \* Positions: 2
- \* Type of switching: Non-Shorting
- \* Indexing: 45°
- \* Rotational Life: 65,000 operations

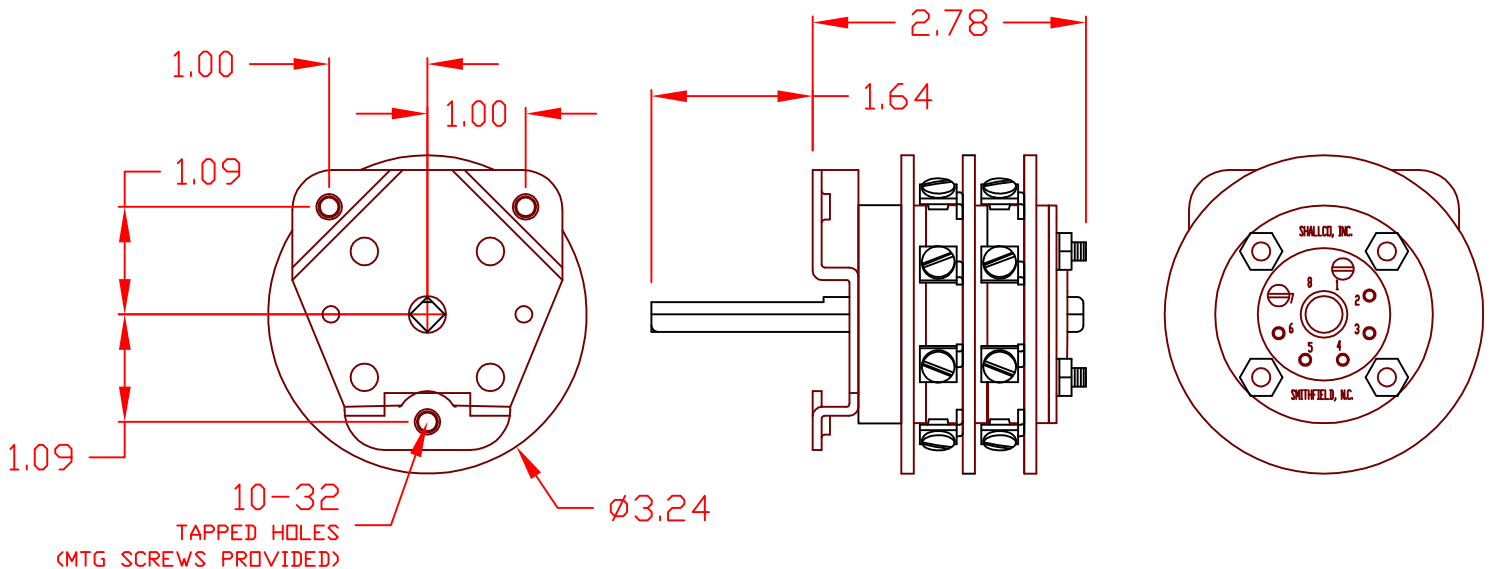
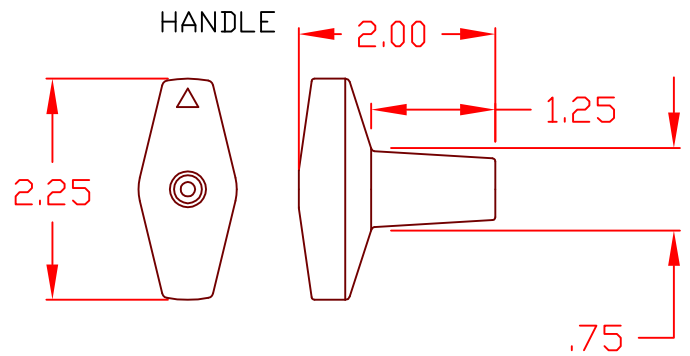
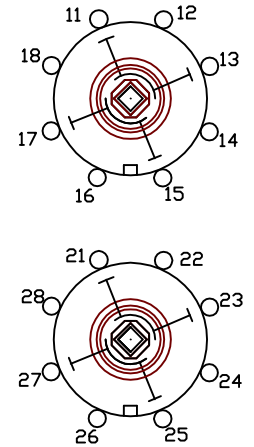
**Materials and Finishes:**

- \* Rotors and Stators: Thermoset Plastic, UL 94V0
- \* Rotor contacts: Phosphor bronze
- \* Stator contacts: Silver plated copper, screw type
- \* Terminal hardware: silver plated brass
- \* Exterior Metal: Steel with zinc chromate finish
- \* Knob: thermoset phenolic

**CIRCUIT DIAGRAM**

DECK	CONTACTS	POSITION	
		1	2
1	11 o       o13	X	
	12 o       o14		X
	15 o       o17	X	
	16 o       o18		X
2	21 o       o23	X	
	22 o       o24		X
	25 o       o27	X	
	26 o       o28		X

**CONTACT TABLE**



DESCRIPTION	<b>26902B-2</b>	REV. B
-------------	-----------------	--------