

General:

Meets requirements for 1 - 25 ampere switching of resistive loads to .75 power factor at voltages to 600 V AC and 250 V DC resistive loads

- Electrical:**
- 15A/600 VAC
 - 20A/600 VAC (RES)
 - 25A/125 VAC
 - 3A/125 VDC
 - 1A/250 VDC



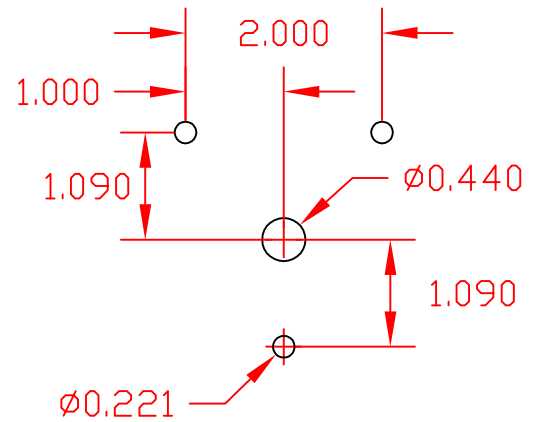
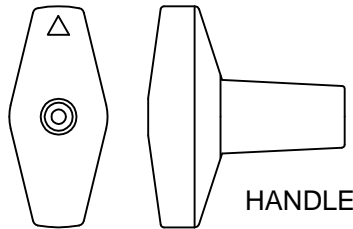
- * Voltages: 250 V DC, 600 V AC
- * Current carrying capacity: 25 amperes
- * Dielectric Withstanding Voltage: 2200 Vrms
- * Contact Resistance: Initial, 10 milliohms max.
- * Insulation Resistance: 100 Megohms min., initial

CONTACT TABLE

DECK	CONTACTS				POSITION											
	11	12	13	14	15	16	17	18	1	2	3	4	5	6	7	8
1	11	12	13	14	15	16	17	18	X							
	21	22	23	24	25	26	27	28	X	X	X	X	X	X	X	X
	31	32	33	34	35	36	37	38	X	X	X	X	X	X	X	X
	41	42	43	44	45	46	47	48	X	X	X	X	X	X	X	X
5	51	52	53	54	55	56	57	58	X	X	X	X	X	X	X	X

Mechanical:

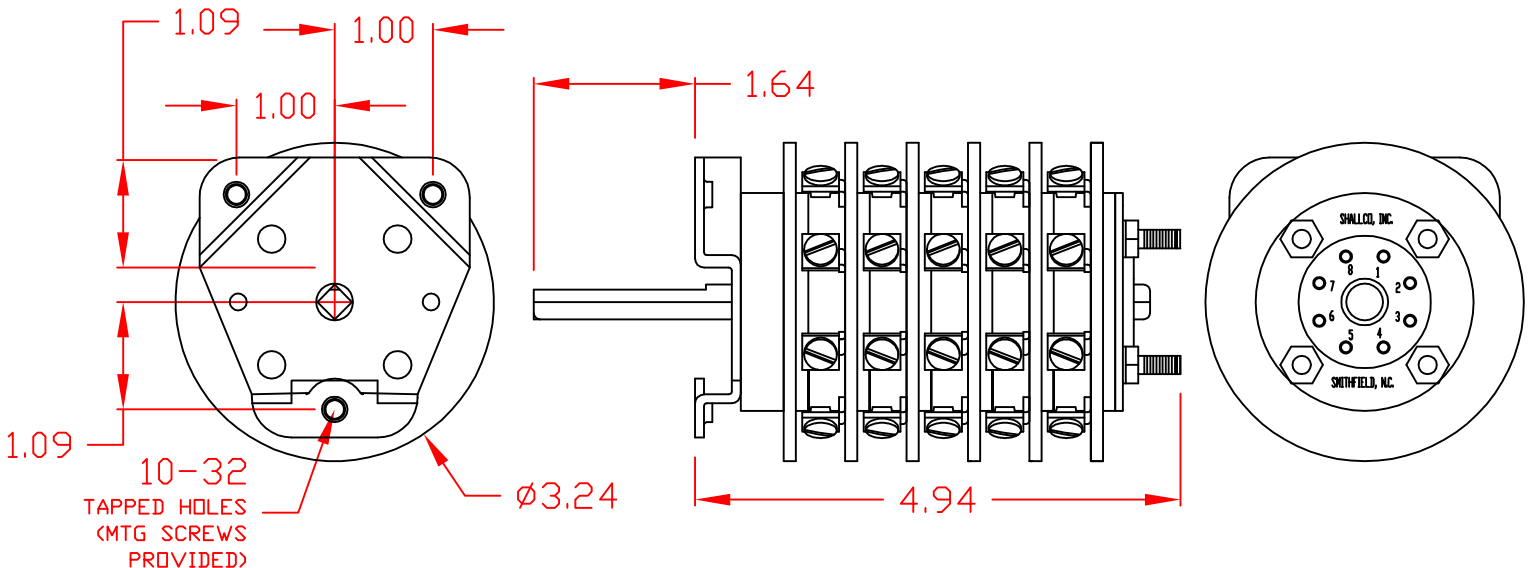
- * Sections: 4
- * Positions: 8 (adjustable)
- * Operation: Non-Shorting
- * Indexing: 45° positive detent
- * Handle: Oval
- * Escutcheon Plate supplied (blank)
- * Rotational Life: 65,000 operations



MOUNTING HOLE DETAIL

Materials and Finishes:

- * Rotors and Stators: Thermoset Plastic, UL 94VO
- * Rotor contacts: Phosphor bronze
- * Stator contacts: Silver plated copper, screw type
- * Terminal hardware: silver plated brass
- * Exterior Metal: Steel with zinc chromate finish



26705B

CUSTOMER REFERENCE:

TERMINAL SCREW TIGHTENING TORQUE: : 8 IN-LBS.