

**SHALLCO SERIES 26**  
**Part Number: 26510D**



308 COMPONENTS DRIVE  
 SMITHFIELD, NC 27577 USA

**General:**

Meets requirements for 1 - 25 ampere switching of resistive loads to .75 power factor at voltages to 600 V AC and 250 VDC resistive loads

**Electrical:**

- \* Ratings: 25A/120 VAC
- 15A/600 VAC
- 20A/600 VAC (RESISTIVE)
- 3A/125 VDC
- 1A/250 VDC



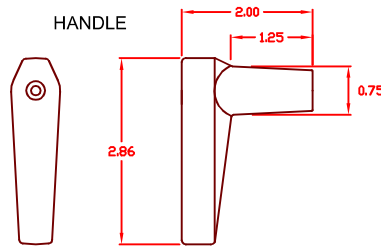
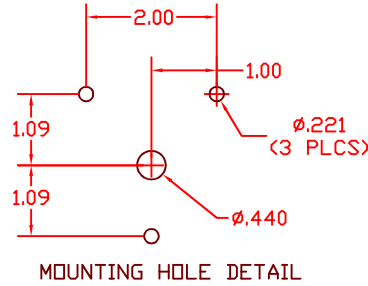
- \* Current carrying capacity: 25 amperes
- \* Dielectric Withstanding Voltage: 2200 Vrms
- \* Contact Resistance: Initial, 10 milliohms max.
- \* Insulation Resistance: 100 Megohms min., initial

**Mechanical:**

- \* Sections: 10
- \* Positions: Up to 8 (Adjustable)
- \* Indexing: 45°
- \* Rotational Life: 65,000 operations

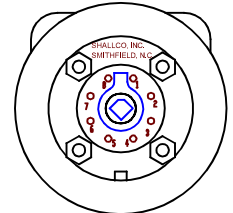
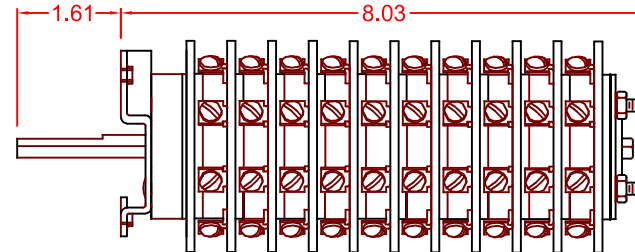
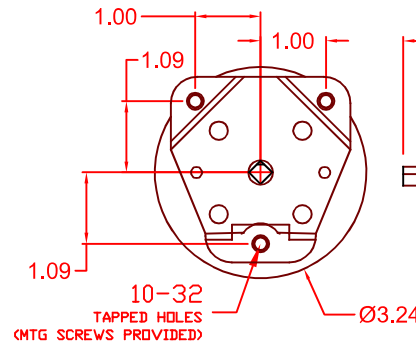
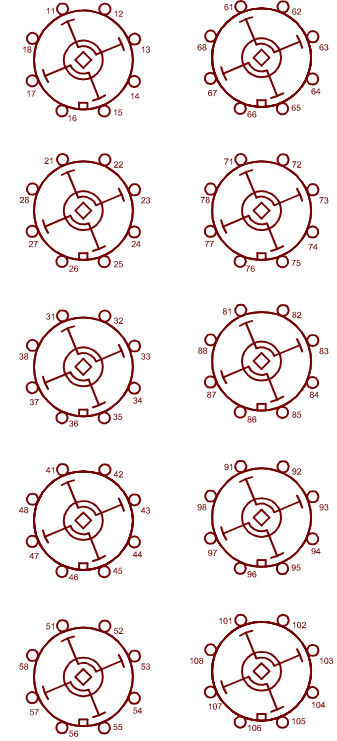
**Materials and Finishes:**

- \* Rotors and Stators: Thermoset Plastic, UL 94VO
- \* Rotor contacts: Phosphor bronze
- \* Stator contacts: Silver plated copper, screw type
- \* Terminal hardware: silver plated brass
- \* Exterior Metal: Steel with zinc chromate finish
- \* Knob: thermoset phenolic



DECK	CONTACTS	POS.							
		1	2	3	4	5	6	7	8
1	110-II-O13	X				X			
	120-II-O14		X				X		
	130-II-O15			X				X	
	140-II-O16				X				X
	150-II-O17	X				X			
	160-II-O18		X				X		
	170-II-O19			X				X	
	180-II-O20				X				X
	210-II-O23	X				X			
	220-II-O24		X				X		
230-II-O25			X				X		
240-II-O26				X				X	
250-II-O27	X				X				
260-II-O28		X				X			
270-II-O29			X				X		
280-II-O30				X				X	
3	310-II-O33	X				X			
	320-II-O34		X				X		
	330-II-O35			X				X	
	340-II-O36				X				X
	350-II-O37	X				X			
	360-II-O38		X				X		
	370-II-O39			X				X	
	380-II-O40				X				X
	410-II-O43	X				X			
	420-II-O44		X				X		
430-II-O45			X				X		
440-II-O46				X				X	
450-II-O47	X				X				
460-II-O48		X				X			
470-II-O49			X				X		
480-II-O50				X				X	
5	510-II-O53	X				X			
	520-II-O54		X				X		
	530-II-O55			X				X	
	540-II-O56				X				X
	550-II-O57	X				X			
	560-II-O58		X				X		
	570-II-O59			X				X	
	580-II-O60				X				X

DECK	CONTACTS	POS.							
		1	2	3	4	5	6	7	8
6	610-II-O63	X				X			
	620-II-O64		X				X		
	630-II-O65			X				X	
	640-II-O66				X				X
	650-II-O67	X				X			
	660-II-O68		X				X		
	670-II-O69			X				X	
	680-II-O70				X				X
	710-II-O73	X				X			
	720-II-O74		X				X		
730-II-O75			X				X		
740-II-O76				X				X	
750-II-O77	X				X				
760-II-O78		X				X			
770-II-O79			X				X		
780-II-O80				X				X	
8	810-II-O83	X				X			
	820-II-O84		X				X		
	830-II-O85			X				X	
	840-II-O86				X				X
	850-II-O87	X				X			
	860-II-O88		X				X		
	870-II-O89			X				X	
	880-II-O90				X				X
	910-II-O93	X				X			
	920-II-O94		X				X		
930-II-O95			X				X		
940-II-O96				X				X	
950-II-O97	X				X				
960-II-O98		X				X			
970-II-O99			X				X		
980-II-O100				X				X	
10	1010-II-O103	X				X			
	1020-II-O104		X				X		
	1030-II-O105			X				X	
	1040-II-O106				X				X
	1050-II-O107	X				X			
	1060-II-O108		X				X		
	1070-II-O109			X				X	
	1080-II-O110				X				X



26510D



308 COMPONENTS DRIVE  
 SMITHFIELD, NC 27577 USA