

SHALLCO SERIES 26
Part Number: 26502B-2



308 COMPONENTS DRIVE
 SMITHFIELD, NC 27577 USA

General:

Meets requirements for 1 - 25 ampere switching of resistive loads to .75 power factor at voltages to 600 V AC and 250 V DC resistive loads

Electrical:

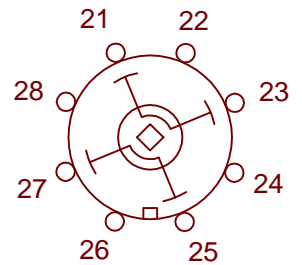
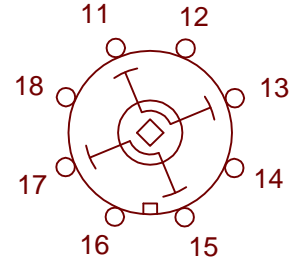
* Ratings

- 25A/125 VAC
- 15A/600 VAC
- 20A/600 VAC (RES)
- 3A/125 VDC
- 1A/250 VDC



CONTACT TABLE

DECK	CONTACTS	POS.	
		1	2
1	11-13	X	
	12-14		X
	15-17	X	
	16-18		X
2	21-23	X	
	22-24		X
	25-27	X	
	26-28		X



STATOR DIAGRAM

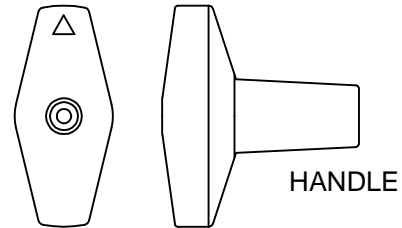
- * Current carrying capacity: 25 amperes
- * Dielectric Withstanding Voltage: 2200 Vrms
- * Contact Resistance: Initial, 10 milliohms max.
- * Insulation Resistance: 100 Megohms min., initial

Mechanical:

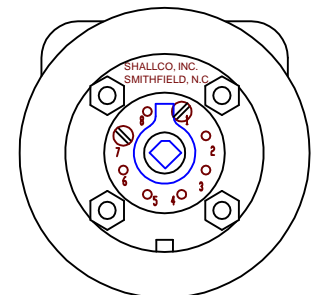
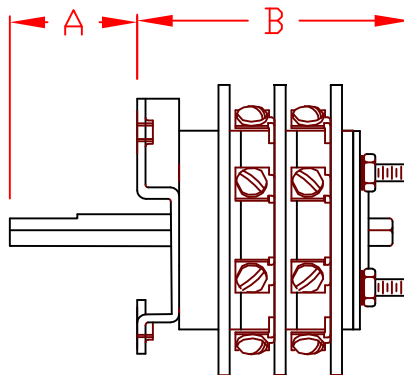
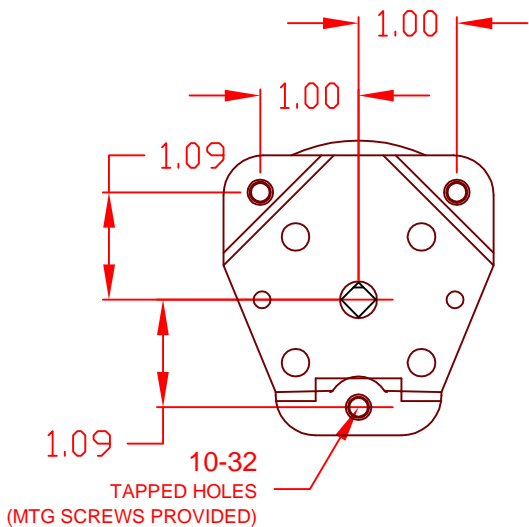
- * Sections: 2
- * Positions: 2 (stops installed)
- * Circuit: See Contact Table and Stator Diagram
- * Nonshorting Operation
- * Indexing: 45° positive detent
- * Rotational Life: 65,000 operations

Materials and Finishes:

- * Rotors and Stators: Thermoset Plastic, UL 94VO
- * Rotor contacts: Phosphor bronze
- * Stator contacts: Silver plated copper, screw type
- * Terminal hardware: silver plated brass
- * Exterior Metal: Steel with zinc chromate finish
- * Knob: thermoset phenolic



HANDLE



HANDLE TYPE: B (OVAL)
 "A" DIM: 1.61
 "B" DIM: 2.41



308 COMPONENTS DRIVE
 SMITHFIELD, NC 27577 USA

26502B-2