

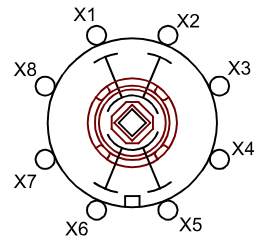
**SHALLCO SERIES 26 SWITCH**

**PART NUMBER: 26213B**  
**DESCRIPTION:**

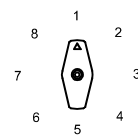
**NUMBER OF DECKS: 13**  
**NUMBER OF POSITIONS: ADJUSTABLE UP TO 8**  
**CIRCUIT: SEE CONTACT TABLE**  
**HANDLE TYPE B (OVAL)**

**RATINGS:**

- 25A/120 VAC
- 15A/600 VAC
- 20A/600 VAC (RESISTIVE)
- 3A/125 VDC
- 1A/250 VDC



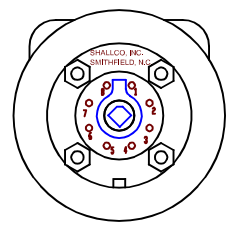
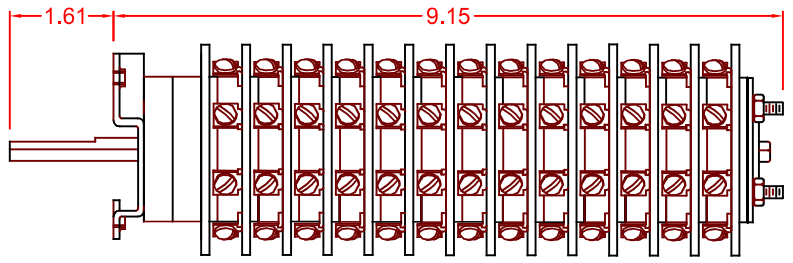
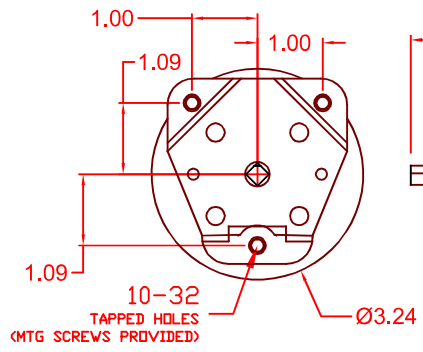
TYPICAL  
 TERMINAL/ROTOR/STATOR  
 ORIENTATION FOR  
 ALL DECKS



**DIELECTRIC STRENGTH: 2200 VRMS**

**INSULATION RESISTANCE: 100 MEGOHMS MINIMUM INITIAL**

**CONTACT RESISTANCE: 10 MILLIOHMS INITIAL**



DECK	CONTACTS	POSITION	1	2	3	4	5	6	7	8
1	11-12	1	X							
1	12-13	2		X						
1	13-14	3			X					
1	14-15	4				X				
1	15-16	5					X			
1	16-17	6						X		
1	17-18	7							X	
1	18-11	8								X
2	21-22	1	X							
2	22-23	2		X						
2	23-24	3			X					
2	24-25	4				X				
2	25-26	5					X			
2	26-27	6						X		
2	27-28	7							X	
2	28-21	8								X
3	31-32	1	X							
3	32-33	2		X						
3	33-34	3			X					
3	34-35	4				X				
3	35-36	5					X			
3	36-37	6						X		
3	37-38	7							X	
3	38-31	8								X
4	41-42	1	X							
4	42-43	2		X						
4	43-44	3			X					
4	44-45	4				X				
4	45-46	5					X			
4	46-47	6						X		
4	47-48	7							X	
4	48-41	8								X
5	51-52	1	X							
5	52-53	2		X						
5	53-54	3			X					
5	54-55	4				X				
5	55-56	5					X			
5	56-57	6						X		
5	57-58	7							X	
5	58-51	8								X
6	61-62	1	X							
6	62-63	2		X						
6	63-64	3			X					
6	64-65	4				X				
6	65-66	5					X			
6	66-67	6						X		
6	67-68	7							X	
6	68-61	8								X
7	71-72	1	X							
7	72-73	2		X						
7	73-74	3			X					
7	74-75	4				X				
7	75-76	5					X			
7	76-77	6						X		
7	77-78	7							X	
7	78-71	8								X
8	81-82	1	X							
8	82-83	2		X						
8	83-84	3			X					
8	84-85	4				X				
8	85-86	5					X			
8	86-87	6						X		
8	87-88	7							X	
8	88-81	8								X
9	91-92	1	X							
9	92-93	2		X						
9	93-94	3			X					
9	94-95	4				X				
9	95-96	5					X			
9	96-97	6						X		
9	97-98	7							X	
9	98-91	8								X
10	101-102	1	X							
10	102-103	2		X						
10	103-104	3			X					
10	104-105	4				X				
10	105-106	5					X			
10	106-107	6						X		
10	107-108	7							X	
10	108-101	8								X
11	111-112	1	X							
11	112-113	2		X						
11	113-114	3			X					
11	114-115	4				X				
11	115-116	5					X			
11	116-117	6						X		
11	117-118	7							X	
11	118-111	8								X
12	121-122	1	X							
12	122-123	2		X						
12	123-124	3			X					
12	124-125	4				X				
12	125-126	5					X			
12	126-127	6						X		
12	127-128	7							X	
12	128-121	8								X
13	131-132	1	X							
13	132-133	2		X						
13	133-134	3			X					
13	134-135	4				X				
13	135-136	5					X			
13	136-137	6						X		
13	137-138	7							X	
13	138-131	8								X

**CONTACT TABLE**

DESCRIPTION  
**26213B**  
 REV. -  
 308 COMPONENTS DRIVE  
 SMITHFIELD, NC 27577 USA