

SHALLCO SERIES 26 SWITCH

PART NUMBER: 26212B

DESCRIPTION:

NUMBER OF DECKS: 12
 NUMBER OF POSITIONS: ADJUSTABLE UP TO 8
 CIRCUIT: SEE CONTACT TABLE
 HANDLE TYPE B (OVAL)

RATINGS:

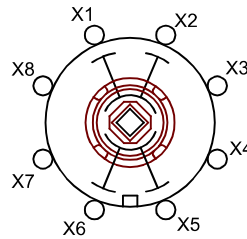
25A/120 VAC
 15A/600 VAC
 20A/600 VAC (RESISTIVE)
 3A/125 VDC
 1A/250 VDC



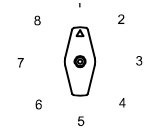
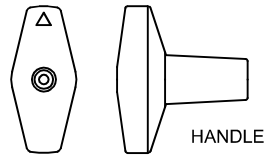
DIELECTRIC STRENGTH: 2200 VRMS

INSULATION RESISTANCE: 100 MEGOHMS MINIMUM
 INITIAL

CONTACT RESISTANCE: 10 MILLIOHMS INITIAL

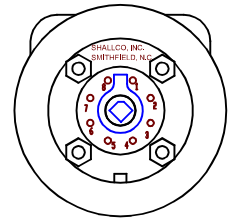
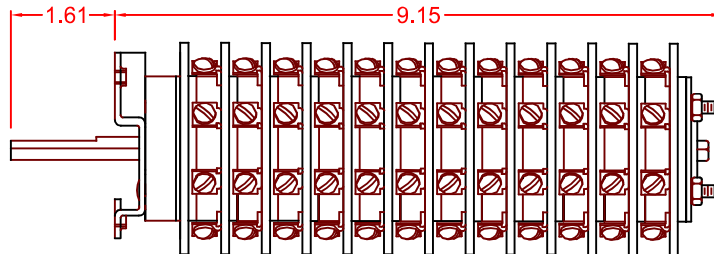
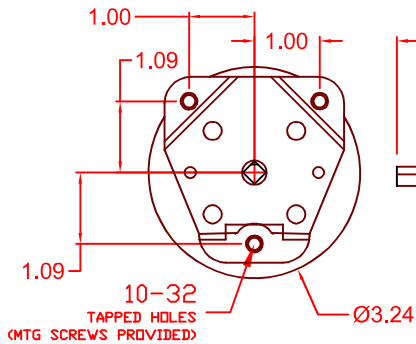


TYPICAL
 TERMINAL/ROTOR/STATOR
 ORIENTATION FOR
 ALL DECKS



CONTACT TABLE

DECK	CONTACTS	POSITION	DECK	CONTACTS	POSITION
		1 2 3 4 5 6 7 8			1 2 3 4 5 6 7 8
1	1-11	X	7	1-11	X
1	12-21	X	7	12-21	X
1	22-31	X	7	22-31	X
1	32-41	X	7	32-41	X
1	42-51	X	7	42-51	X
1	52-61	X	7	52-61	X
1	62-71	X	7	62-71	X
1	72-81	X	7	72-81	X
2	1-11	X	8	1-11	X
2	12-21	X	8	12-21	X
2	22-31	X	8	22-31	X
2	32-41	X	8	32-41	X
2	42-51	X	8	42-51	X
2	52-61	X	8	52-61	X
2	62-71	X	8	62-71	X
2	72-81	X	8	72-81	X
3	1-11	X	9	1-11	X
3	12-21	X	9	12-21	X
3	22-31	X	9	22-31	X
3	32-41	X	9	32-41	X
3	42-51	X	9	42-51	X
3	52-61	X	9	52-61	X
3	62-71	X	9	62-71	X
3	72-81	X	9	72-81	X
4	1-11	X	10	1-11	X
4	12-21	X	10	12-21	X
4	22-31	X	10	22-31	X
4	32-41	X	10	32-41	X
4	42-51	X	10	42-51	X
4	52-61	X	10	52-61	X
4	62-71	X	10	62-71	X
4	72-81	X	10	72-81	X
5	1-11	X	11	1-11	X
5	12-21	X	11	12-21	X
5	22-31	X	11	22-31	X
5	32-41	X	11	32-41	X
5	42-51	X	11	42-51	X
5	52-61	X	11	52-61	X
5	62-71	X	11	62-71	X
5	72-81	X	11	72-81	X
6	1-11	X	12	1-11	X
6	12-21	X	12	12-21	X
6	22-31	X	12	22-31	X
6	32-41	X	12	32-41	X
6	42-51	X	12	42-51	X
6	52-61	X	12	52-61	X
6	62-71	X	12	62-71	X
6	72-81	X	12	72-81	X



DESCRIPTION	26212B	REV. A
308 COMPONENTS DRIVE SMITHFIELD, NC 27577 USA		