

# SHALLCO SERIES 26 SWITCH

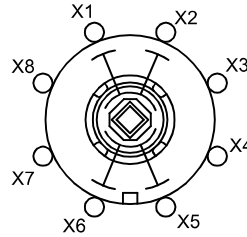


PART NUMBER: 26210B  
DESCRIPTION:

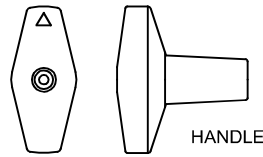
NUMBER OF DECKS: 10  
NUMBER OF POSITIONS: ADJUSTABLE UP TO 8  
CIRCUIT: SEE CONTACT TABLE  
HANDLE TYPE B (OVAL)

**RATINGS:**

- 25A/120 VAC
- 15A/600 VAC
- 20A/600 VAC (RESISTIVE)
- 3A/125 VDC
- 1A/250 VDC



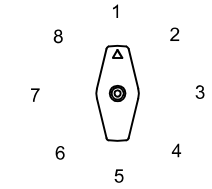
TYPICAL  
TERMINAL/ROTOR/STATOR  
ORIENTATION FOR  
ALL DECKS



DIELECTRIC STRENGTH: 2200 VRMS

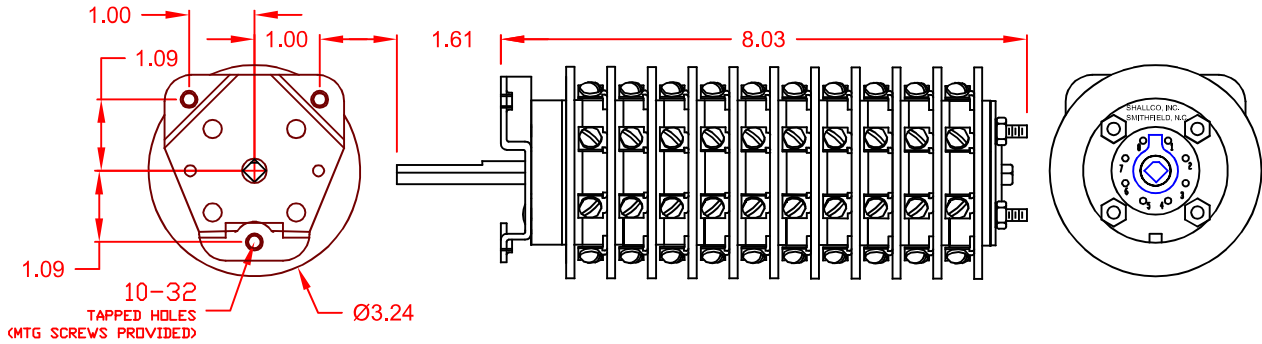
INSULATION RESISTANCE: 100 MEGOHMS  
MINIMUM INITIAL

CONTACT RESISTANCE: 10 MILLIOHMS INITIAL



CONTACT TABLE

DECK	CONTACTS	POSITION							
		1	2	3	4	5	6	7	8
1	11	X							
	12		X						
	13			X					
	14				X				
	15					X			
	16						X		
	17							X	
	18								X
	19								
	20								
2	21	X							
	22		X						
	23			X					
	24				X				
	25					X			
	26						X		
	27							X	
	28								X
	29								
	30								
3	31	X							
	32		X						
	33			X					
	34				X				
	35					X			
	36						X		
	37							X	
	38								X
	39								
	40								
4	41	X							
	42		X						
	43			X					
	44				X				
	45					X			
	46						X		
	47							X	
	48								X
	49								
	50								
5	51	X							
	52		X						
	53			X					
	54				X				
	55					X			
	56						X		
	57							X	
	58								X
	59								
	60								
6	61	X							
	62		X						
	63			X					
	64				X				
	65					X			
	66						X		
	67							X	
	68								X
	69								
	70								
7	71	X							
	72		X						
	73			X					
	74				X				
	75					X			
	76						X		
	77							X	
	78								X
	79								
	80								
8	81	X							
	82		X						
	83			X					
	84				X				
	85					X			
	86						X		
	87							X	
	88								X
	89								
	90								
9	91	X							
	92		X						
	93			X					
	94				X				
	95					X			
	96						X		
	97							X	
	98								X
	99								
	100								
10	101	X							
	102		X						
	103			X					
	104				X				
	105					X			
	106						X		
	107							X	
	108								X
	109								
	110								



DESCRIPTION: 26210B  
REV. A  
**SHALLCO**  
308 COMPONENTS DRIVE  
SMITHFIELD, NC 27577 USA