

SHALLCO SERIES 1 SNAP ACTION SWITCH



PART NUMBER 1A01-2A

ELECTRICAL:

RATINGS (UL):

16A @ 250 VAC 16A @ 250 VDC

7.5A @ 600 VAC

3/4 HP @ 240 VAC



VOLTAGE: 600 VAC, 250 VDC

SWITCHING CAPACITY: UP TO 16 AMPERES

DIELECTRIC WITHSTANDING VOLTAGE: 2500 VRMS INITIAL

CONTACT RESISTANCE: 10 MILLIOHMS MAX. (4 MILLIOHMS AVERAGE)

INSULATION RESISTANCE: 1000 MEGHOHMS MIN. INITIAL

MECHANICAL:

POLES: 1

INDEXING: 90°

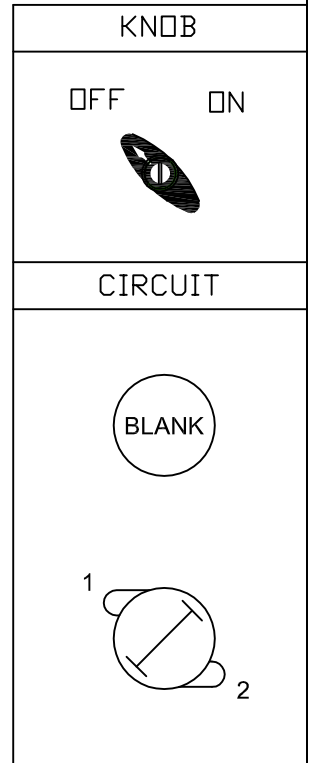
TERMINAL TYPE: SCREW

POSITIONS: 2 (OFF-ON)

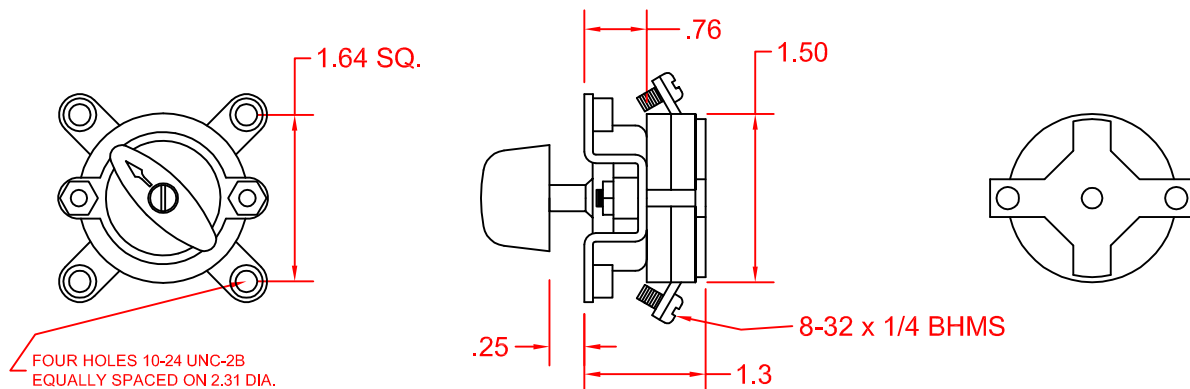
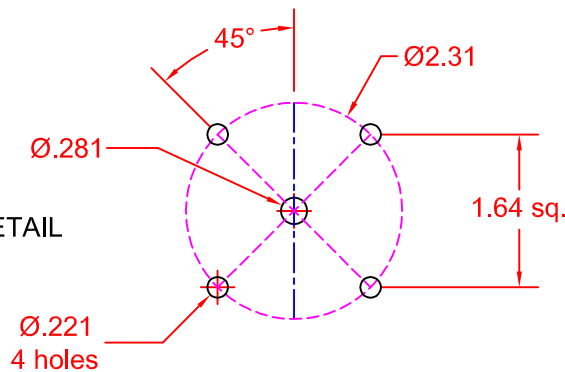
CONTACTS: BREAK BEFORE MAKE

CONSTRUCTION: CLOSED

SUPPLIED WITH TERMINAL SCREWS AND KNOB



MOUNTING DETAIL



FOUR HOLES 10-24 UNC-2B
EQUALLY SPACED ON 2.31 DIA.

DESCRIPTION

1A01-2A



308 COMPONENTS DRIVE
SMITHFIELD, NC 27577 USA