

SHALLCO SERIES 26

Part Number: 26207D

General:

Meets requirements for 1 - 25 ampere switching of resistive loads to .75 power factor at voltages to 600 V AC and 250 V DC resistive loads

Electrical:

* Ratings:

- 25A/120 VAC
- 15A/600 VAC
- 20A/600 VAC (RESISTIVE)
- 3A/125 VDC
- 1A/250 VDC



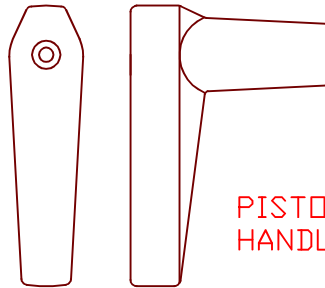
- * Current carrying capacity: 25 amperes
- * Dielectric Withstanding Voltage: 2200 Vrms
- * Contact Resistance: Initial, 10 milliohms max.
- * Insulation Resistance: 100 Megohms min., initial

Mechanical:

- * Sections: 7
- * Positions: 8 adjustable
- * Indexing: 45°
- * Rotational Life: 65,000 operations

Materials and Finishes:

- * Rotors and Stators: Thermoset Plastic, UL 94VO
- * Rotor contacts: Phosphor bronze
- * Stator contacts: Silver plated copper, screw type
- * Terminal hardware: silver plated brass
- * Exterior Metal: Steel with zinc chromate finish
- * Knob: thermoset phenolic



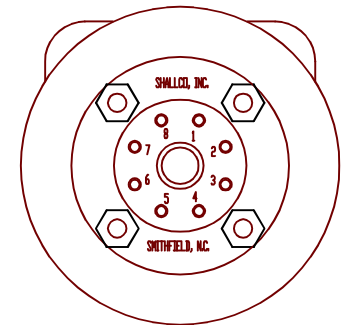
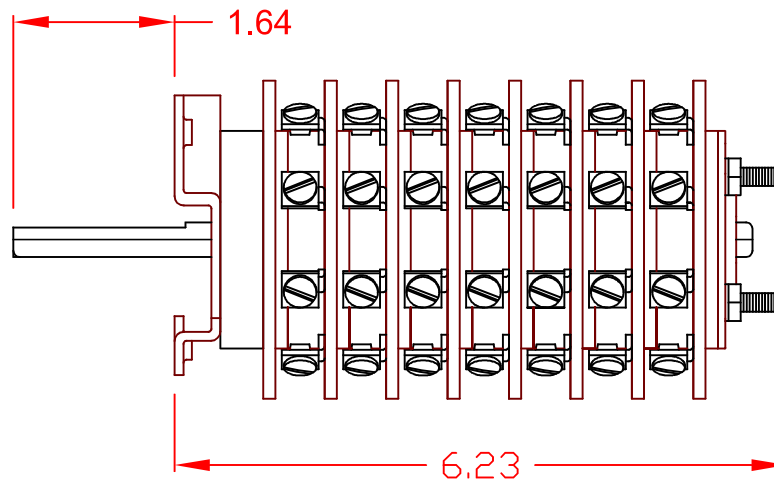
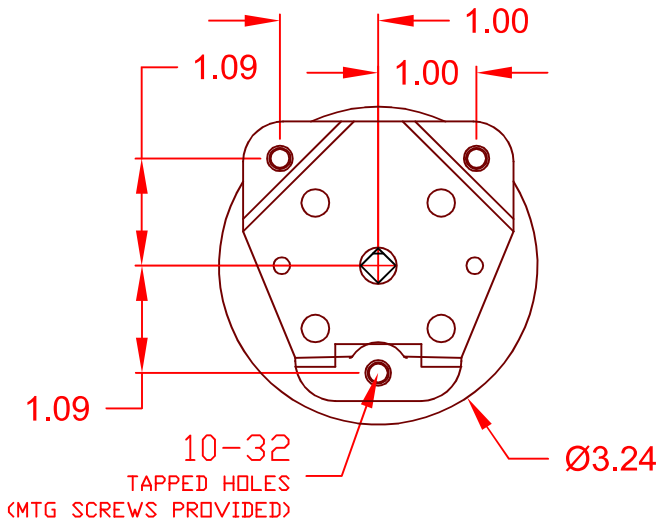
PISTOL GRIP HANDLE



308 COMPONENTS DRIVE
SMITHFIELD, NC 27577 USA

CONTACT TABLE

DECK	CONTACTS	POSITION								DECK	CONTACTS	POSITION									
		1	2	3	4	5	6	7	8			1	2	3	4	5	6	7	8		
1	11-12	X				X					5	51-52	X				X				
	12-13		X									52-53		X							
	13-14			X								53-54			X						
	14-15				X							54-55				X					
	15-16	X										55-56	X								
	16-17		X									56-57		X							
	17-18			X								57-58			X						
2	18-11					X					58-51				X						
	21-22						X				61-62					X					
	22-23							X			62-63						X				
	23-24								X		63-64							X			
	24-25									X		64-65								X	
	25-26	X									65-66	X									
	26-27		X								66-67		X								
3	27-28			X						67-68			X								
	28-21				X					68-61				X							
	31-32						X			71-72					X						
	32-33							X		72-73						X					
	33-34								X		73-74							X			
	34-35									X		74-75								X	
	35-36	X									75-76	X									
4	36-37			X						76-77		X									
	37-38				X					77-78			X								
	38-21					X				78-71				X							
	41-42							X													
	42-43								X												
	43-44									X											
	44-45										X										



308 COMPONENTS DRIVE
SMITHFIELD, NC 27577 USA

26207D

REV. -