

**SHALLCO SERIES 26**  
**Part Number: 26206D**



308 COMPONENTS DRIVE  
 SMITHFIELD, NC 27577 USA

**General:**

Meets requirements for 1 - 25 ampere switching of resistive loads to .75 power factor at voltages to 600 V AC and 250 V DC resistive loads

**Electrical Ratings:** 25A/120 VAC  
 15A/600 VAC  
 20A/600 VAC (RES)  
 3A/125 VDC  
 1A/250 VDC



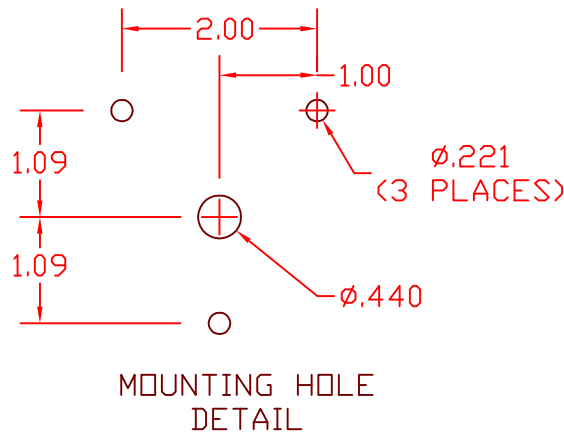
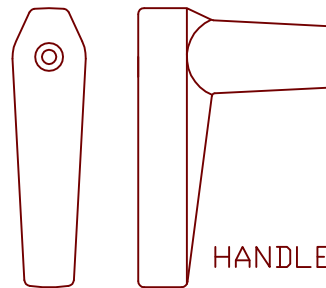
- \* Current carrying capacity: 25 amperes
- \* Dielectric Withstanding Voltage: 2200 Vrms
- \* Contact Resistance: Initial, 10 milliohms max.
- \* Insulation Resistance: 100 Megohms min., initial

**Mechanical:**

- \* Sections: 6
- \* Positions: 8 Adjustable (See Truth Table)
- \* Indexing: 45° positive detent
- \* Rotational Life: 65,000 operations

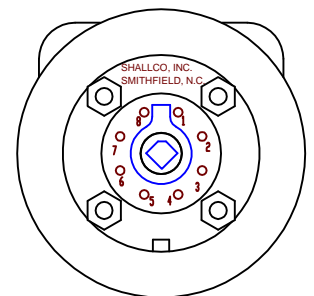
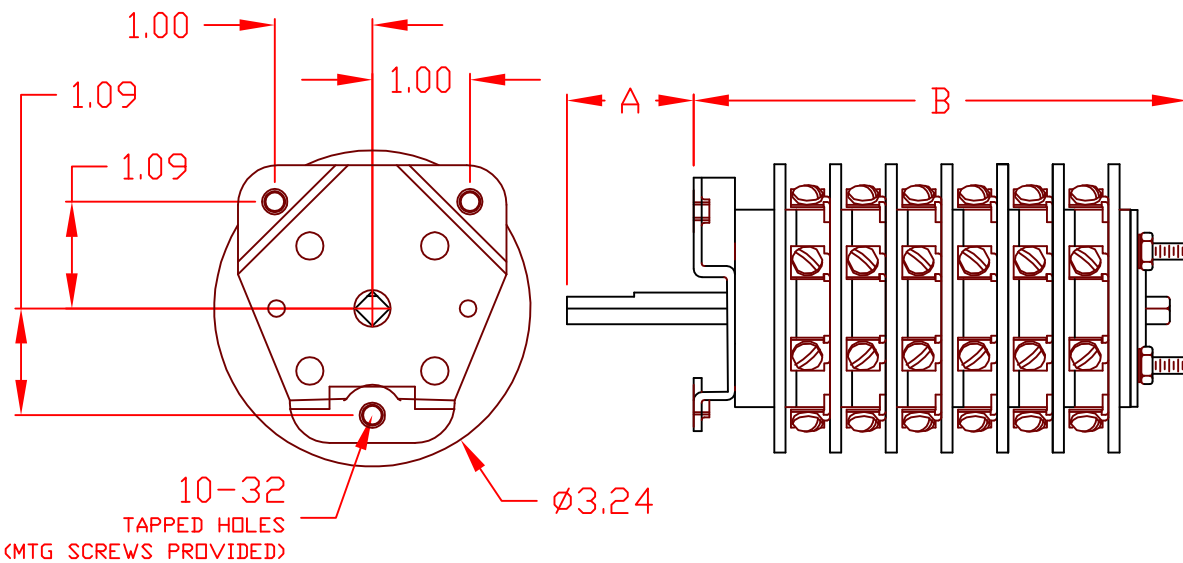
**Materials and Finishes:**

- \* Rotors and Stators: Thermoset Plastic UL 94VO
- \* Rotor contacts: Phosphor bronze
- \* Stator contacts: Silver plated copper screw type
- \* Terminal hardware: silver plated brass
- \* Exterior Metal: Steel with zinc chromate finish



**CONTACT TABLE**

DECK	CONTACTS	POSITION							
		1	2	3	4	5	6	7	8
1	11	X							
	12		X						
	13			X					
	14				X				
	15					X			
	16						X		
	17							X	
	18								X
2	21	X							
	22		X						
	23			X					
	24				X				
	25					X			
	26						X		
	27							X	
	28								X
3	31	X							
	32		X						
	33			X					
	34				X				
	35					X			
	36						X		
	37							X	
	38								X
4	41	X							
	42		X						
	43			X					
	44				X				
	45					X			
	46						X		
	47							X	
	48								X
5	51	X							
	52		X						
	53			X					
	54				X				
	55					X			
	56						X		
	57							X	
	58								X
6	61	X							
	62		X						
	63			X					
	64				X				
	65					X			
	66						X		
	67							X	
	68								X



**26206D**

HANDLE TYPE: B (OVAL)  
 "A" DIM: 1.61  
 "B" DIM: 5.41



308 COMPONENTS DRIVE  
 SMITHFIELD, NC 27577 USA