

SHALLCO SERIES 26
Part Number: 26205B



308 COMPONENTS DRIVE
 SMITHFIELD, NC 27577 USA

General:

Meets requirements for 1 - 25 ampere switching of resistive loads to .75 power factor at voltages to 600 V AC and 250 V DC resistive loads

Electrical Ratings: 25A/120 VAC
 15A/600 VAC
 20A/600 VAC (RES)
 3A/125 VDC
 1A/250 VDC



- * Current carrying capacity: 25 amperes
- * Dielectric Withstanding Voltage: 2200 Vrms
- * Contact Resistance: Initial, 10 milliohms max.
- * Insulation Resistance: 100 Megohms min., initial

Mechanical:

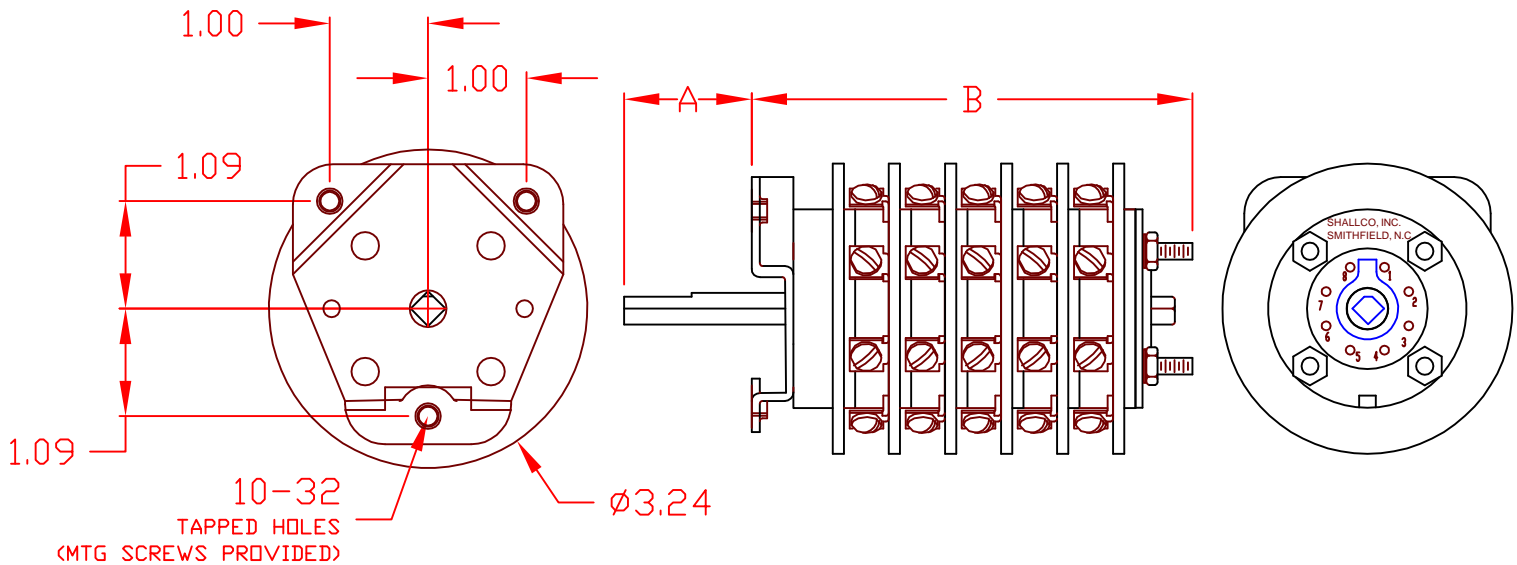
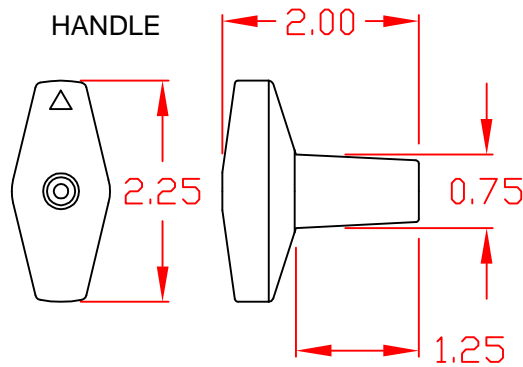
- * Sections: 5
- * Positions: 8 Adjustable (See Truth Table)
- * Indexing: 45° positive detent
- * Rotational Life: 65,000 operations

Materials and Finishes:

- * Rotors and Stators: Thermoset Plastic UL 94VO
- * Rotor contacts: Phosphor bronze
- * Stator contacts: Silver plated copper screw type
- * Terminal hardware: silver plated brass
- * Exterior Metal: Steel with zinc chromate finish

CONTACT TABLE

DECK	CONTACTS	POSITION							
		1	2	3	4	5	6	7	8
1	11	X				X			
	12		X				X		
	13			X				X	
	14				X				X
	15					X			
	16		X				X		
	17			X				X	
2	21					X			
	22		X				X		
	23			X				X	
	24				X				X
	25		X				X		
	26			X				X	
	27				X				X
3	31					X			
	32		X				X		
	33			X				X	
	34				X				X
	35		X				X		
	36			X				X	
	37				X				X
4	41					X			
	42		X				X		
	43			X				X	
	44				X				X
	45		X				X		
	46			X				X	
	47				X				X
5	51					X			
	52		X				X		
	53			X				X	
	54				X				X
	55		X				X		
	56			X				X	
	57				X				X



HANDLE TYPE: B (OVAL)
 "A" DIM: 1.61
 "B" DIM: 4.66

26205B



308 COMPONENTS DRIVE
 SMITHFIELD, NC 27577 USA