

SHALLCO SERIES 26

Part Number: 26204D



308 COMPONENTS DRIVE
SMITHFIELD, NC 27577 USA

General:

Meets requirements for 1 - 25 ampere switching of resistive loads to .75 power factor at voltages to 600 V AC and 250 V DC resistive loads

Electrical:

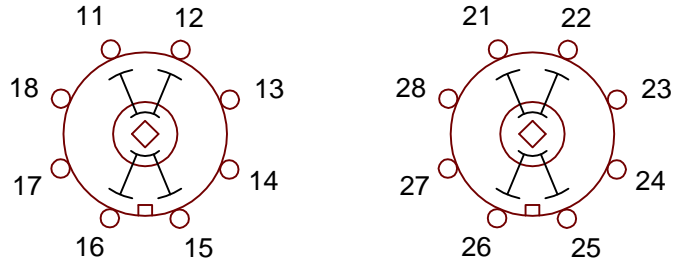
- * Voltages: 250 V DC, 600 V AC
- * Current carrying capacity: 25 amperes
- * Dielectric Withstanding Voltage: 2200 Vrms
- * Contact Resistance: Initial, 10 milliohms max.
- * Insulation Resistance: 100 Megohms min., initial

Mechanical:

- * Sections: 4
- * Positions: 8, Adjustable
- * Nonshorting Operation
- * Indexing: 45° positive detent
- * Rotational Life: 65,000 operations

Materials and Finishes:

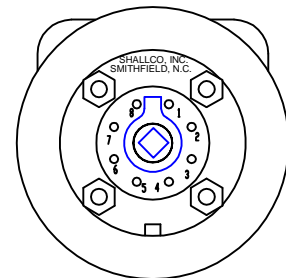
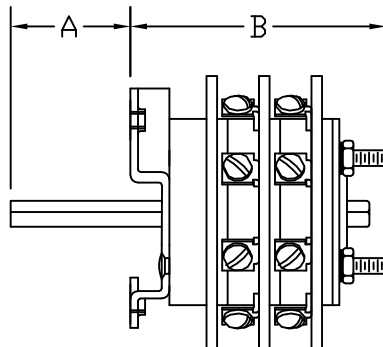
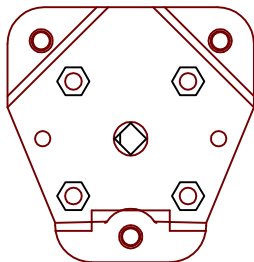
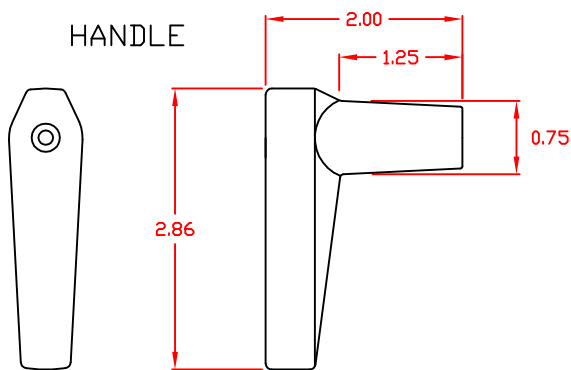
- * Rotors and Stators: Thermoset Plastic, UL 94VO
- * Rotor contacts: Phosphor bronze
- * Stator contacts: Silver plated copper, screw type
- * Terminal hardware: silver plated brass
- * Exterior Metal: Steel with zinc chromate finish
- * Knob: thermoset phenolic



STATOR DIAGRAM

TRUTH TABLE

DECK	CONTACT	POSITION							
		1	2	3	4	5	6	7	8
1	11 - 12	X				X			
	12 - 13		X				X		
	13 - 14			X				X	
	14 - 15				X				X
	15 - 16	X				X			
	16 - 17		X				X		
	17 - 18			X				X	
	18 - 11				X				X
2	21 - 22	X				X			
	22 - 23		X				X		
	23 - 24			X				X	
	24 - 25				X				X
	25 - 26	X				X			
	26 - 27		X				X		
	27 - 28			X				X	
	28 - 21				X				X



26204D

HANDLE TYPE: PISTOL GRIP "A" DIM: 1.6
"B" DIM: 2.78



308 COMPONENTS DRIVE
SMITHFIELD, NC 27577 USA