

SHALLCO SERIES 26
Part Number: 26204B

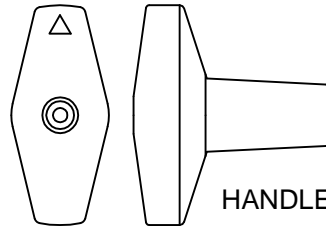


General:

Meets requirements for 1 - 25 ampere switching of resistive loads to .75 power factor at voltages to 600 V AC and 250 V DC resistive loads

Electrical:

- * Ratings 25A/125 VAC
- 15A/600 VAC
- 20A/600 VAC (RES)
- 15A/600VAC
- 3A/125 VDC
- 1A/250 VDC



- * Current carrying capacity: 30 amperes
- * Dielectric Withstanding Voltage: 2200 Vrms
- * Contact Resistance: Initial, 10 milliohms max.
- * Insulation Resistance: 100 Megohms min., initial

Mechanical:

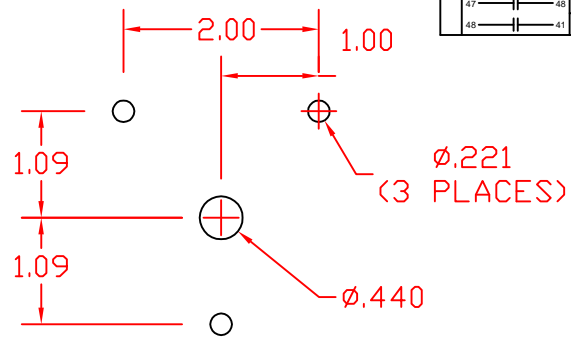
- * Sections: 4
- * Positions: Adjustable (See Truth Table and Operation)
- * Operation: Non-shorting
- * Indexing: 45°
- * Rotational Life: 65,000 operations
- * Handle: Oval

Materials and Finishes:

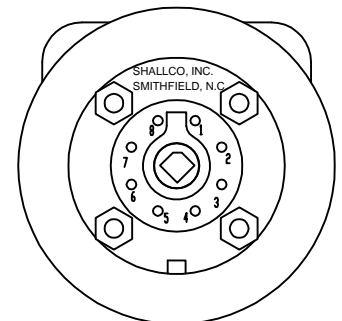
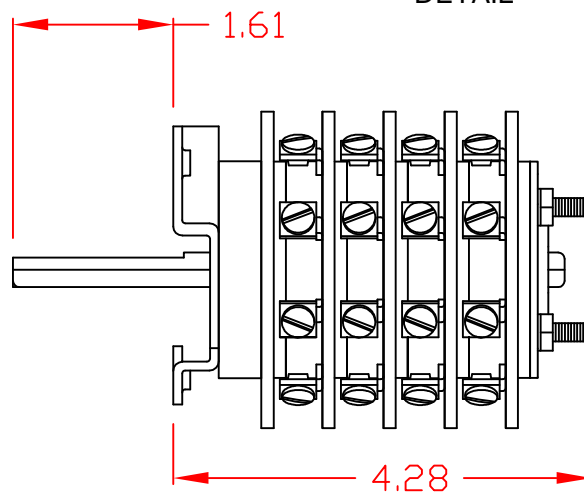
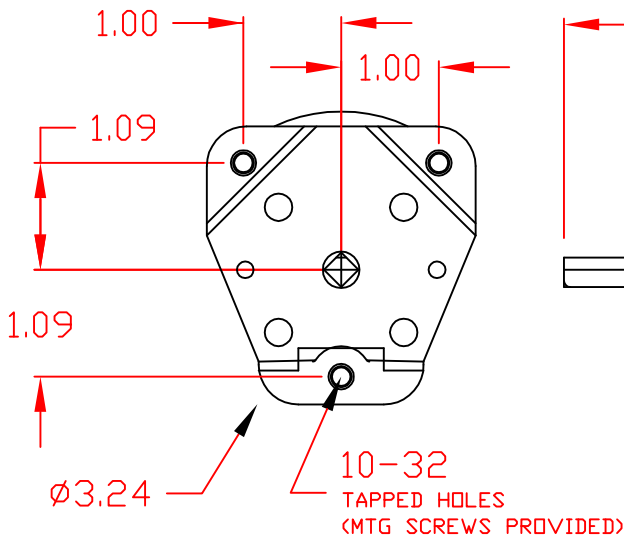
- * Rotors and Stators: Thermoset Plastic, UL 94VO
- * Rotor contacts: Phosphor bronze
- * Stator contacts: Silver plated copper, screw type
- * Terminal hardware: silver plated brass
- * Exterior Metal: Steel with zinc chromate finish

CONTACT TABLE

DECK	CONTACTS	POSITION							
		1	2	3	4	5	6	7	8
1	11-12	X				X			
	12-13								
	13-14		X						
	14-15			X					X
	15-16	X							
	16-17				X				
	17-18		X						
	18-11					X			
2	21-22								
	22-23		X						
	23-24			X					
	24-25				X				X
	25-26	X							
	26-27					X			
	27-28		X						
	28-21						X		
3	31-32	X							
	32-33								
	33-34		X						
	34-35			X					X
	35-36	X							
	36-37				X				
	37-38		X						
	38-31					X			
4	41-42								
	42-43		X						
	43-44			X					
	44-45				X				X
	45-46	X							
	46-47					X			
	47-48		X						
	48-41						X		



MOUNTING HOLE DETAIL



DESCRIPTION

26204B



308 COMPONENTS DRIVE
 SMITHFIELD, NC 27577 USA

TERMINAL SCREW TIGHTENING TORQUE: 8 IN-LBS

REV. B