

SHALLCO SERIES 26
Part Number: 26203D



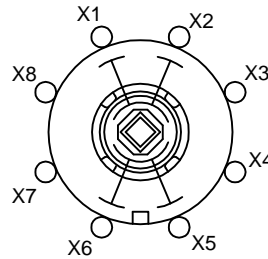
308 COMPONENTS DRIVE
 SMITHFIELD, NC 27577 USA

General:

Meets requirements for 1 - 25 ampere switching of resistive loads to .75 power factor at voltages to 600 V AC and 250 VDC resistive loads

Electrical:

- * Ratings: 25A/120 VAC
- 15A/600 VAC
- 20A/600 VAC (RESISTIVE)
- 3A/125 VDC
- 1A/250 VDC
- * Current carrying capacity: 25 amperes
- * Dielectric Withstanding Voltage: 2200 Vrms
- * Contact Resistance: Initial, 10 milliohms max.
- * Insulation Resistance: 100 Megohms min., initial



TYPICAL
 TERMINAL/ROTOR/STATOR
 ORIENTATION FOR
 ALL DECKS

CONTACT TABLE

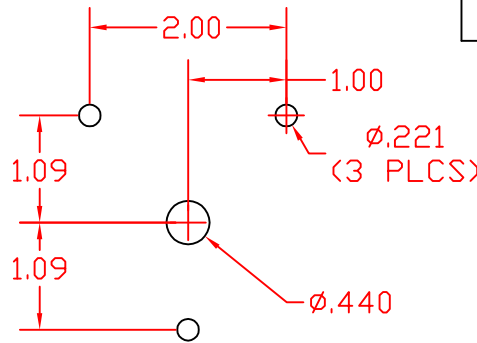
DECK	CONTACTS	POSITION							
		1	2	3	4	5	6	7	8
1	11								
	12								
	13								
	14								
	15								
	16								
	17								
	18								
2	21								
	22								
	23								
	24								
	25								
	26								
	27								
	28								
3	31								
	32								
	33								
	34								
	35								
	36								
	37								
	38								

Mechanical:

- * Sections: 3
- * Positions: 8 (Off + 7 "On")
- * Indexing: 45°
- * Rotational Life: 65,000 operations

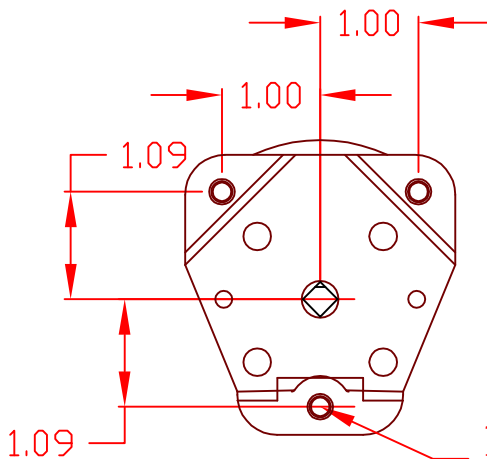
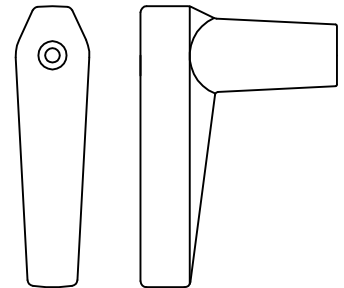
Materials and Finishes:

- * Rotors and Stators: Thermoset Plastic, UL 94VO
- * Rotor contacts: Phosphor bronze
- * Stator contacts: Silver plated copper, screw type
- * Terminal hardware: silver plated brass
- * Exterior Metal: Steel with zinc chromate finish
- * Knob: thermoset phenolic

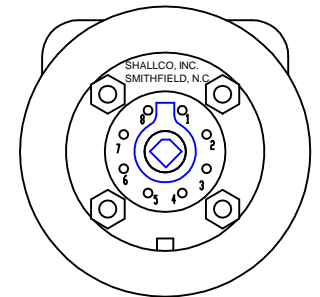
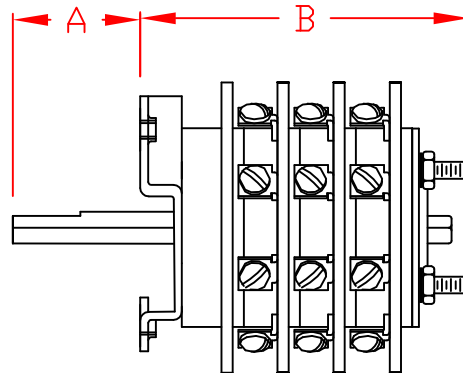


MOUNTING HOLE DETAIL

HANDLE



10-32
 TAPPED HOLES
 (MTG SCREWS PROVIDED)



26203D

HANDLE TYPE: PISTOL GRIP "A" DIM: 1.6
 "B" DIM: 3.53



308 COMPONENTS DRIVE
 SMITHFIELD, NC 27577 USA