

SHALLCO SERIES 26
Part Number: 26203B



General:

Meets requirements for 1 - 25 ampere switching of resistive loads to .75 power factor at voltages to 600 V AC and 250 V DC resistive loads

Electrical Ratings: 25A/120 VAC
 15A/600 VAC
 20A/600 VAC (RES)
 3A/125 VDC
 1A/250 VDC



- * Current carrying capacity: 25 amperes
- * Dielectric Withstanding Voltage: 2200 Vrms
- * Contact Resistance: Initial, 10 milliohms max.
- * Insulation Resistance: 100 Megohms min., initial

Mechanical:

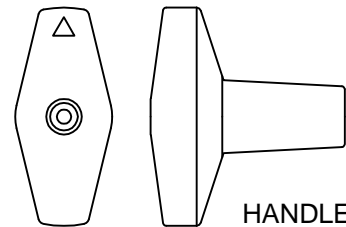
- * Sections: 3
- * Positions: 8 Adjustable (See Contact Table)
- * Indexing: 45° positive detent
- * Rotational Life: 65,000 operations

Materials and Finishes:

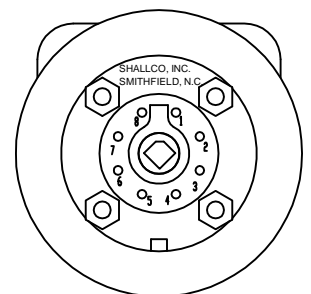
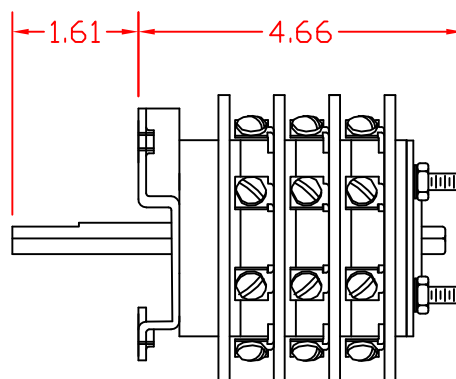
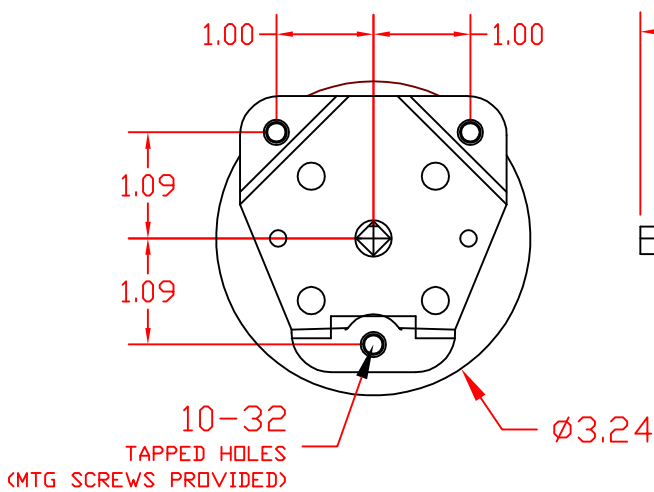
- * Rotors and Stators: Thermoset Plastic UL 94VO
- * Rotor contacts: Phosphor bronze
- * Stator contacts: Silver plated copper screw type
- * Terminal hardware: silver plated brass
- * Exterior Metal: Steel with zinc chromate finish

CONTACT TABLE

DECK	CONTACTS	POSITION							
		1	2	3	4	5	6	7	8
1	11 — — 12	X				X			
	12 — — 13		X				X		
	13 — — 14			X				X	
	14 — — 15				X				X
	15 — — 16	X				X			
	16 — — 17		X				X		
2	17 — — 18			X				X	
	18 — — 11				X				X
	21 — — 22	X				X			
	22 — — 23		X				X		
	23 — — 24			X				X	
	24 — — 25				X				X
3	25 — — 26	X				X			
	26 — — 27		X				X		
	27 — — 28			X				X	
	28 — — 21				X				X
	31 — — 32	X				X			
	32 — — 33		X				X		
	33 — — 34			X				X	
	34 — — 35				X				X
	35 — — 36	X				X			
	36 — — 37		X				X		
	37 — — 38			X				X	
	38 — — 31				X				X



HANDLE



26203B



308 COMPONENTS DRIVE
SMITHFIELD, NC 27577 USA