

**SHALLCO SERIES 26**  
**Part Number: 26202D**



308 COMPONENTS DRIVE  
 SMITHFIELD, NC 27577 USA

**General:**

Meets requirements for 1 - 25 ampere switching of resistive loads to .75 power factor at voltages to 600 V AC and 250 VDC resistive loads

**Electrical:**

- \* Ratings: 25A/120 VAC
- 15A/600 VAC
- 20A/600 VAC (RESISTIVE)
- 3A/125 VDC
- 1A/250 VDC



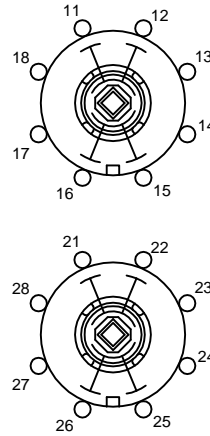
- \* Current carrying capacity: 25 amperes
- \* Dielectric Withstanding Voltage: 2200 Vrms
- \* Contact Resistance: Initial, 10 milliohms max.
- \* Insulation Resistance: 100 Megohms min., initial

**Mechanical:**

- \* Sections: 2
- \* Positions: 8 (Off + 7 "On")
- \* Indexing: 45°
- \* Rotational Life: 65,000 operations

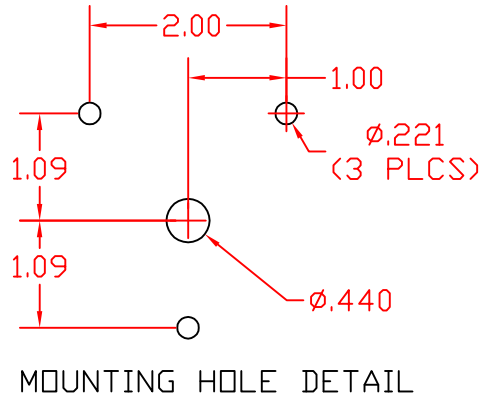
**Materials and Finishes:**

- \* Rotors and Stators: Thermoset Plastic, UL 94VO
- \* Rotor contacts: Phosphor bronze
- \* Stator contacts: Silver plated copper, screw type
- \* Terminal hardware: silver plated brass
- \* Exterior Metal: Steel with zinc chromate finish
- \* Knob: thermoset phenolic

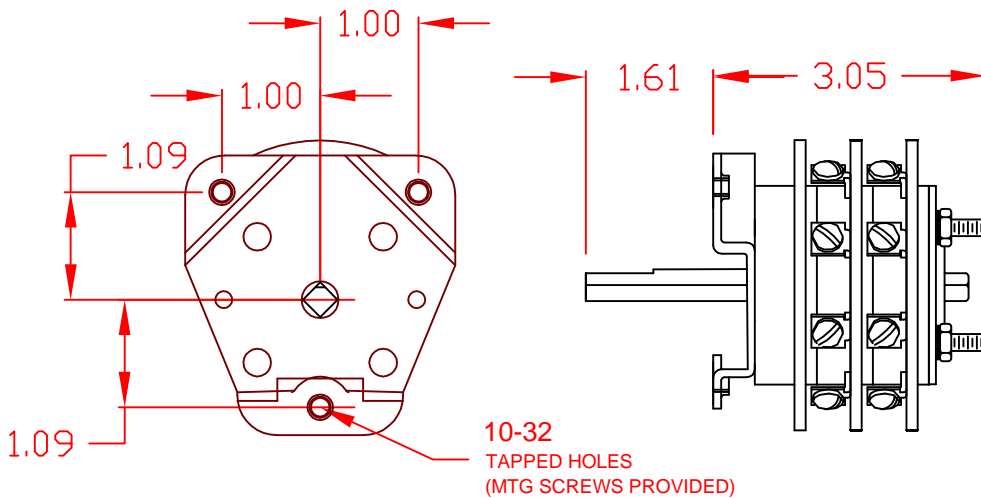
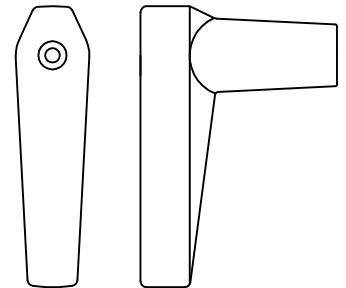


CONTACT TABLE

DECK	CONTACTS	POSITION							
		1	2	3	4	5	6	7	8
1	11		X			X			
	12			X			X		
	13				X			X	
	14					X			X
	15	X					X		
	16		X					X	
	17			X					X
	18				X				X
2	21		X			X			
	22			X			X		
	23				X			X	
	24					X			X
	25	X					X		
	26		X					X	
	27			X					X
	28				X				X



HANDLE



10-32  
 TAPPED HOLES  
 (MTG SCREWS PROVIDED)

26202D

REV. A



308 COMPONENTS DRIVE  
 SMITHFIELD, NC 27577 USA

TERMINAL SCREW TIGHTENING TORQUE: 8 IN-LBS