

**Part Number: 26202B**

**General:**

Meets requirements for 1 - 25 ampere switching of resistive loads to .75 power factor at voltages to 600 V AC and 250 V DC resistive loads

**Electrical:**

\* Ratings

- 25A/125 VAC
- 15A/600 VAC
- 20A/600 VAC (RES)
- 15A/600VAC
- 3A/125 VDC
- 1A/250 VDC



- \* Current carrying capacity: 30 amperes
- \* Dielectric Withstanding Voltage: 2200 Vrms
- \* Contact Resistance: Initial, 10 milliohms max.
- \* Insulation Resistance: 100 Megohms min., initial

**Mechanical:**

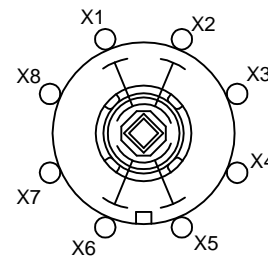
- \* Sections: 2
- \* Positions: Adjustable (See Truth Table and Operation)
- \* Operation: Non-shorting
- \* Indexing: 45°
- \* Rotational Life: 65,000 operations
- \* Handle: Oval

**Materials and Finishes:**

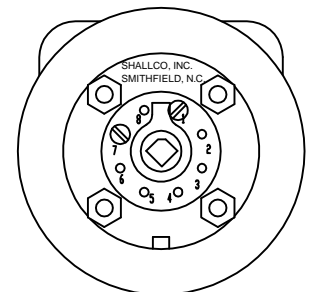
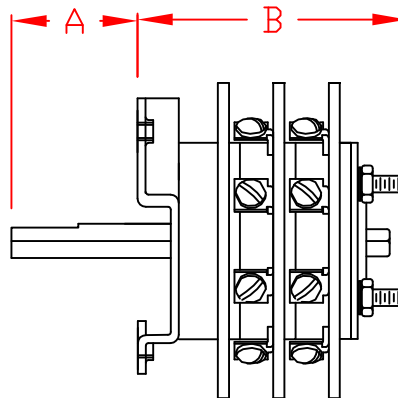
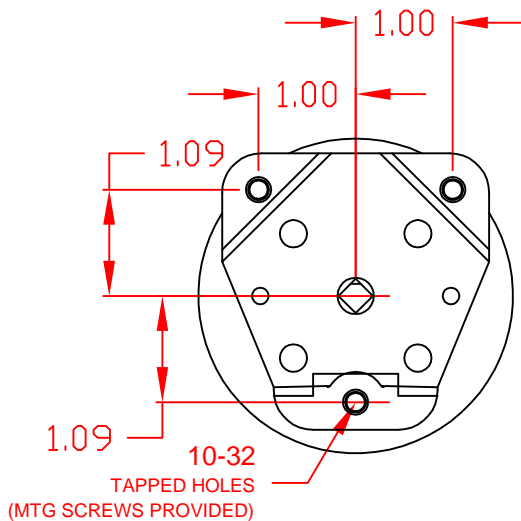
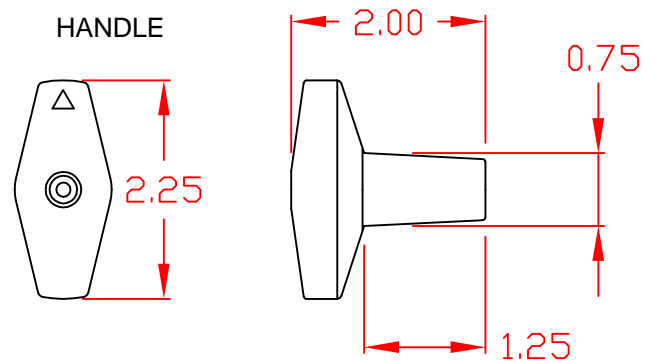
- \* Rotors and Stators: Thermoset Plastic, UL 94VO
- \* Rotor contacts: Phosphor bronze
- \* Stator contacts: Silver plated copper, screw type
- \* Terminal hardware: silver plated brass
- \* Exterior Metal: Steel with zinc chromate finish

**CONTACT TABLE**

DECK	CONTACTS	POSITION							
		1	2	3	4	5	6	7	8
1	11	X				X			
	12		X					X	
	13			X					X
	14				X				X
	15	X				X			
	16		X					X	
	17			X					X
	18				X				X
	18	11					X		
2	21	X				X			
	22		X					X	
	23			X					X
	24				X				X
	25	X				X			
	26		X					X	
	27			X					X
	28				X				X
	28	21					X		



TYPICAL  
TERMINAL/ROTOR/STATOR  
ORIENTATION FOR  
ALL DECKS



HANDLE TYPE: B (OVAL)  
"A" DIM: 1.61  
"B" DIM: 2.41