

SHALLCO SERIES 26
Part Number: 26201B



General:

Meets requirements for 1 - 25 ampere switching of resistive loads to .75 power factor at voltages to 600 V AC and 250 V DC resistive loads

Electrical:

* Ratings

- 25A/120 VAC
- 20A/600 VAC (RES)
- 15A/600 VAC
- 3A/125 VDC
- 1A/250 VDC



- * Current carrying capacity: 25 amperes
- * Dielectric Withstanding Voltage: 2200 Vrms
- * Contact Resistance: Initial, 10 milliohms max.
- * Insulation Resistance: 100 Megohms min., initial

Mechanical:

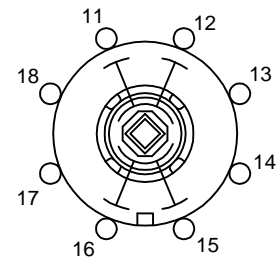
- * Sections: 1
- * Positions: Adjustable (See Contact Table and Operation)
- * Operation: Non-shorting
- * Indexing: 45°
- * Rotational Life: 65,000 operations
- * Handle: Oval

Materials and Finishes:

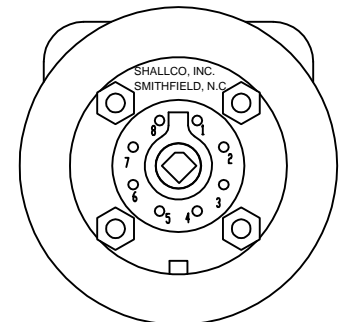
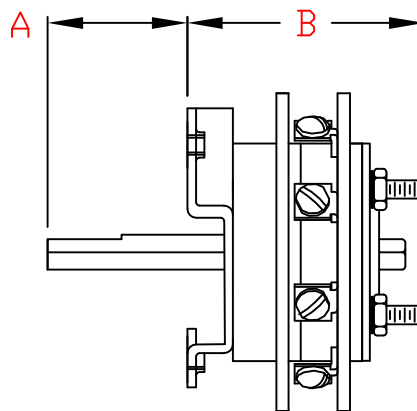
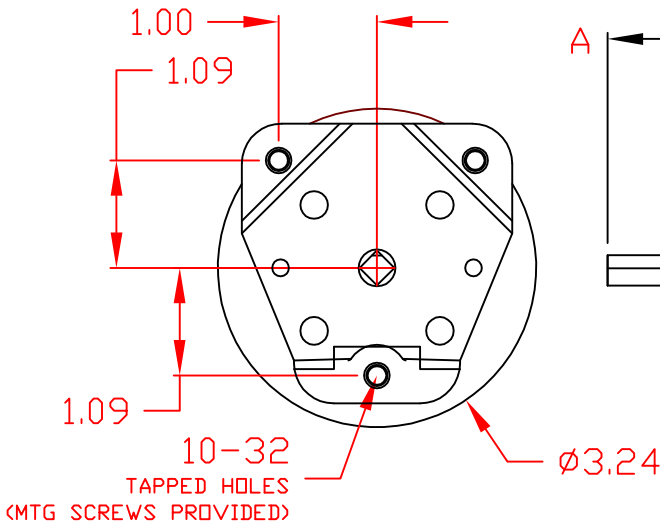
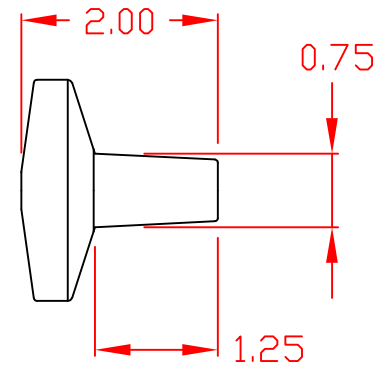
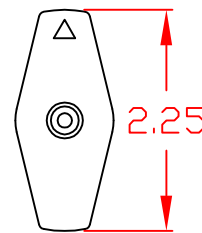
- * Rotors and Stators: Thermoset Plastic, UL 94VO
- * Rotor contacts: Phosphor bronze
- * Stator contacts: Silver plated copper, screw type
- * Terminal hardware: silver plated brass
- * Exterior Metal: Steel with zinc chromate finish

CONTACT TABLE

DECK	CONTACTS	POSITION							
		1	2	3	4	5	6	7	8
1	11	X				X			
	12		X				X		
	13			X				X	
	14				X				X
	15	X				X			
	16		X				X		
	17			X				X	
	18				X				X
						X			



HANDLE



HANDLE TYPE: B (OVAL)

"A" DIM: 1.61

"B" DIM: 2.41