

SHALCO SERIES 26

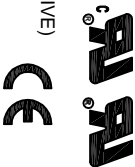
Part Number: 2658D 125VDC/ABC

Description: BREAKER CONTROL SWITCH
with Lighted Nameplate (125 VDC)

General:
Meets requirements for 1 - 25 ampere switching of resistive loads to .75 power factor at voltages to 600 V AC and 250 VDC resistive loads

Electrical:

- * Ratings: 25A/120 VAC
15A/600 VAC
20A/600 VAC (RESISTIVE)
3A/125 VDC
1A/250 VDC
- * Current carrying capacity: 25 amperes
- * Dielectric Withstanding Voltage: 2200 Vrms
- * Contact Resistance: Initial, 10 milliohms max.
- * Insulation Resistance: 100 Megohms min., initial



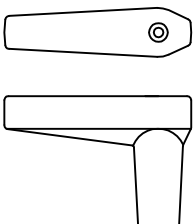
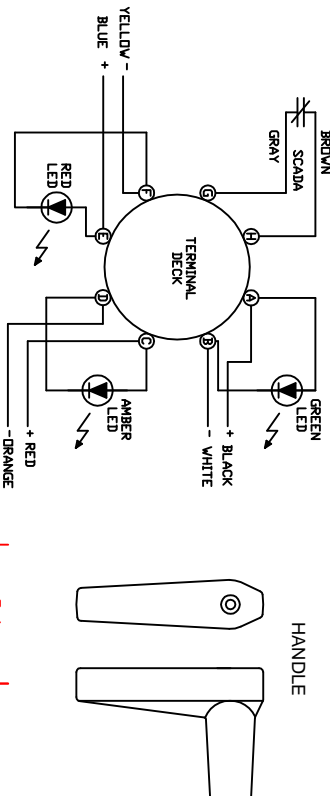
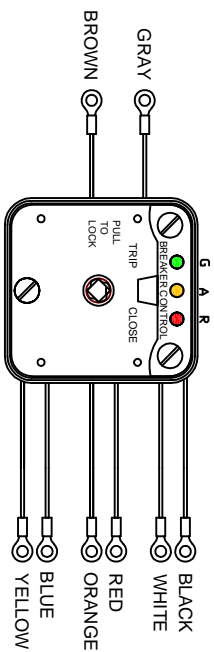
Mechanical:

- * Sections: 6
- * Positions: See contact table
- * Dent type: Decks 1 - 4 spring return with Pull to Lock in extreme counter-clockwise position.
Decks 5 and 6 detented slip contacts
- * Indexing: 45°
- * Rotational Life: 65,000 operations

Materials and Finishes:

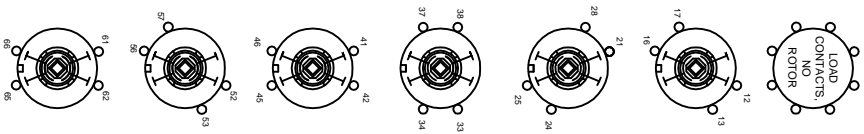
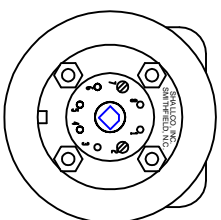
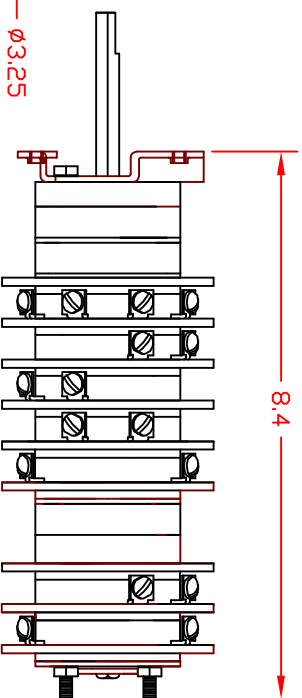
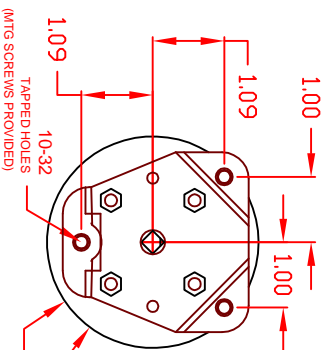
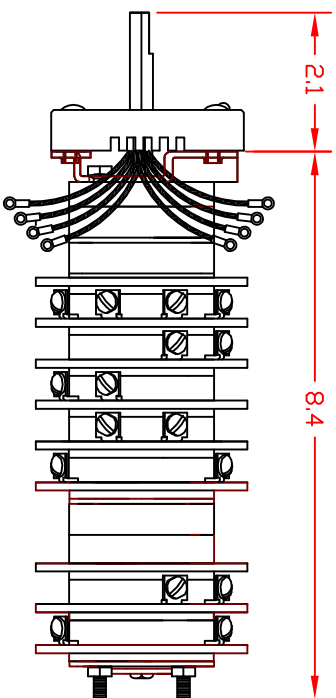
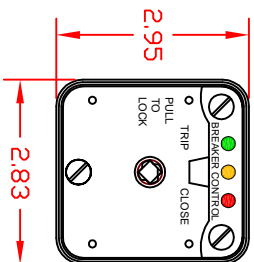
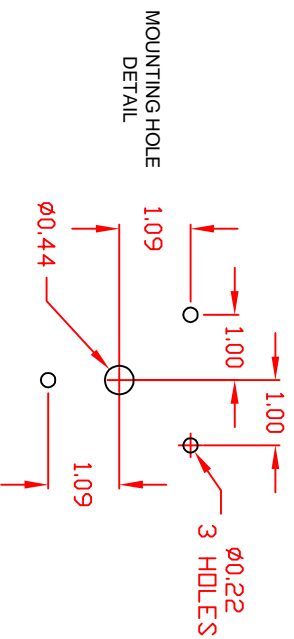
- * Rotors and Stators: Thermoset Plastic, UL 94V0
- * Rotor contacts: Phosphor bronze
- * Stator contacts: Silver plated copper, screw type
- * Terminal hardware: silver plated brass
- * Exterior Metal: Steel with zinc chromate finish
- * Knob: thermoset phenolic

LIGHTED NAMEPLATE
(WIRE LENGTHS APPROX 20 INCHES)



DECK	CONTACTS	POSITIONS		
		PULL-TL	TRIP	nat nac CLOSE
1	120-1-1-013 160-1-1-017			X
2	210-1-1-028 240-1-1-025	X	X	
3	330-1-1-034 370-1-1-038	X		
4	410-1-1-042 450-1-1-046	X	X	
5	520-1-1-053 560-1-1-057		X	X
6	610-1-1-062 650-1-1-066	X	X	X

CONTACT TABLE



2658D 125VDC/ABC



308 COMPONENTS DRIVE
SMITHFIELD, NC 27577 USA

