

SHALLCO SERIES 26

Part Number: 2658D 120VACAXC

Description: BREAKER CONTROL SWITCH with Lighted Nameplate (120 VAC)

General:
Meets requirements for 1 - 25 ampere switching of resistive loads to .75 power factor at voltages to 600 V AC and 250 VDC resistive loads

Electrical:

- * Ratings: 25A/120 VAC
15A/600 VAC
20A/600 VAC (RESISTIVE)
3A/125 VDC
1A/250 VDC
- * Current carrying capacity: 25 amperes
- * Dielectric Withstanding Voltage: 2200 Vrms
- * Contact Resistance: Initial, 10 milliohms max.
- * Insulation Resistance: 100 Megohms min., initial



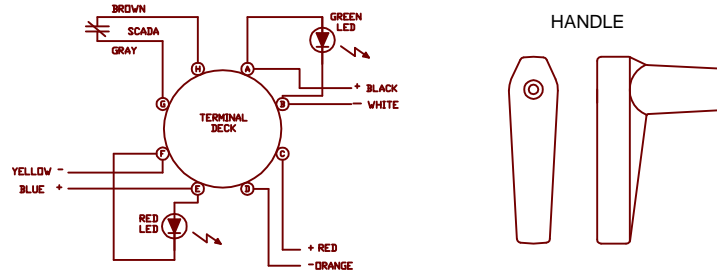
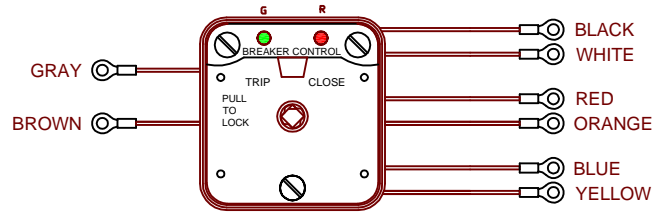
Mechanical:

- * Sections: 6
- * Positions: See contact table
- * Detent type: Decks 1 - 4 spring return with Pull to Lock in extreme counter-clockwise position. Decks 5 and 6 detented slip contacts
- * Indexing: 45°
- * Rotational Life: 65,000 operations

Materials and Finishes:

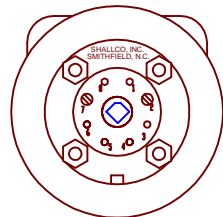
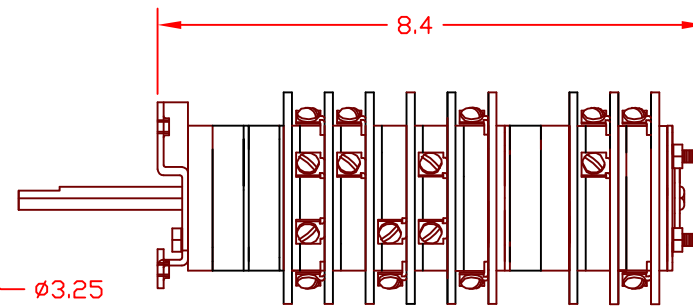
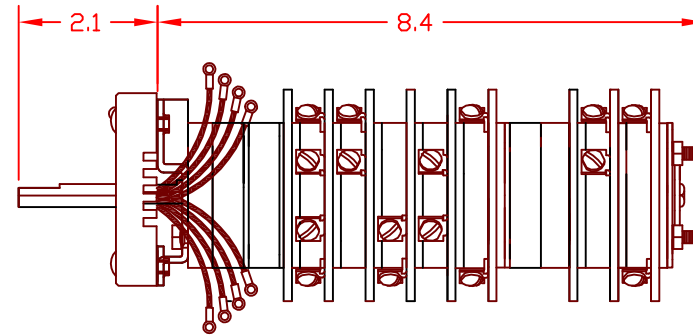
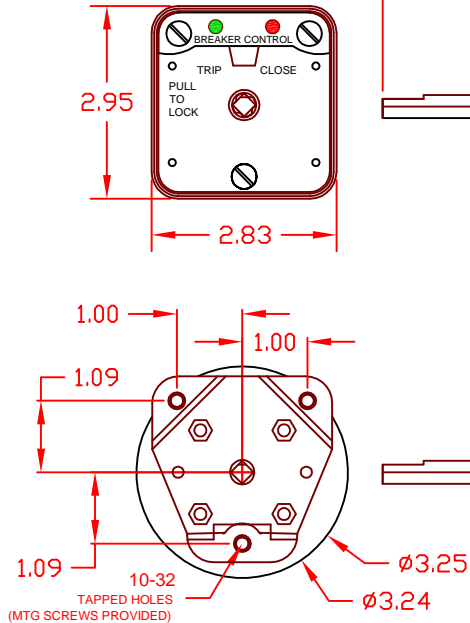
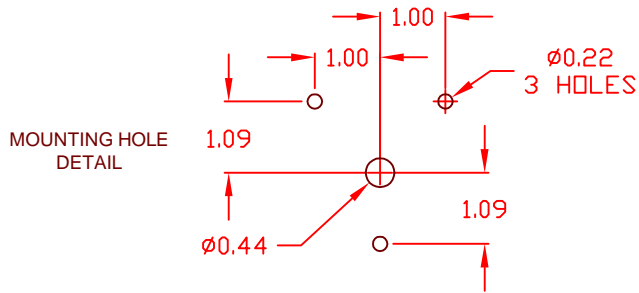
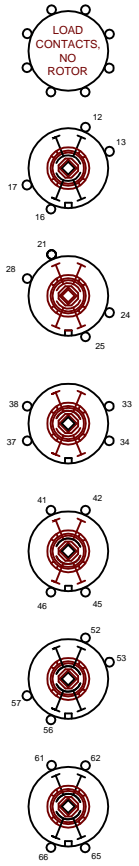
- * Rotors and Stators: Thermoset Plastic, UL 94VO
- * Rotor contacts: Phosphor bronze
- * Stator contacts: Silver plated copper, screw type
- * Terminal hardware: silver plated brass
- * Exterior Metal: Steel with zinc chromate finish
- * Knob: thermoset phenolic

LIGHTED NAMEPLATE (WIRE LENGTHS APPROX 20 INCHES)



DECK	CONTACTS	POSITIONS			
		PULL-TL	TRIP	nat	nbC
1	120-I-I-O13				X
	160-I-I-O17				X
2	210-I-I-O28	X			
	240-I-I-O25	X			
3	330-I-I-O34	X			
	370-I-I-O38	X			
4	410-I-I-O42		X	X	
	450-I-I-O46		X	X	
5	520-I-I-O53			X	X
	560-I-I-O57			X	X
6	610-I-I-O62	X	X		
	650-I-I-O66	X	X		

CONTACT TABLE



2658D 120VACAXC



308 COMPONENTS DRIVE
SMITHFIELD, NC 27577 USA