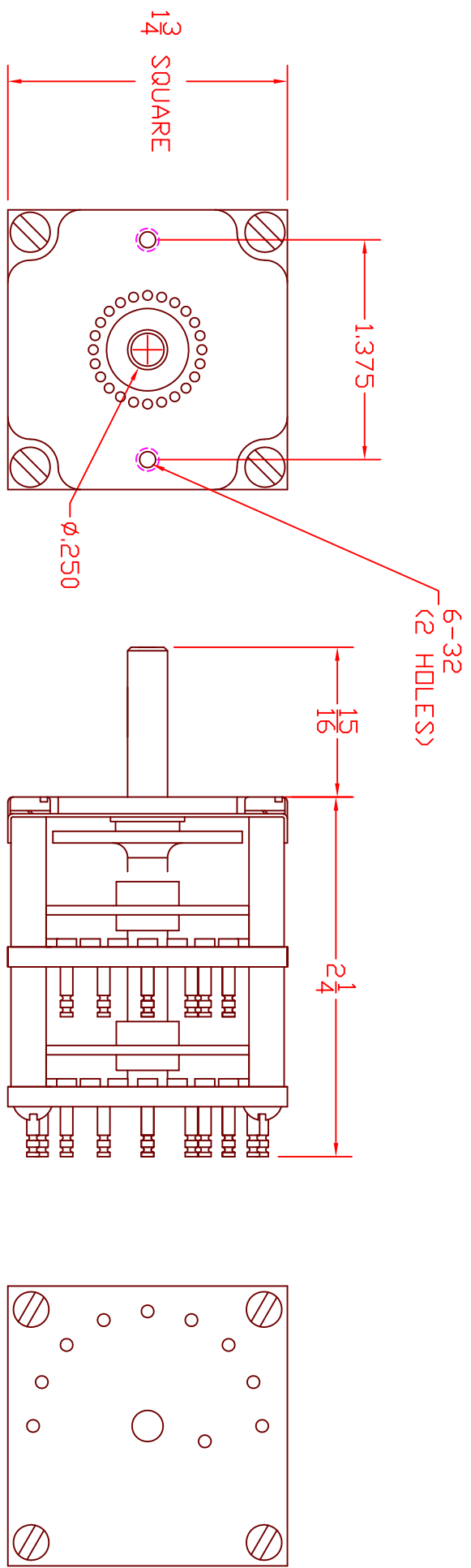


REVISIONS			
LTR	DESCRIPTION	DATE	APP'D



DESCRIPTION

SHALCO PART NUMBER: 211-CB-9
 NUMBER OF DECKS: 2
 NUMBER OF POLES PER DECK: 1
 NUMBER OF POSITIONS: 2
 DETENT: STANDARD
 ANGLE BETWEEN CONTACTS: 22-1/2°

SWITCHING: NONSHORTING
 CURRENT CARRYING CAPACITY: 10 AMPERES
 CURRENT SWITCHING CAPACITY: 2 AMPERES
 CONTACT RESISTANCE, INITIAL: 5 MILLIOHMS MAX.
 CONTACT RESISTANCE, AFTER LIFE: 10 MILLIOHMS MAX.
 INSULATION RESISTANCE: 50,000 MEGOHMS
 DIELECTRIC WITHSTANDING VOLTAGE: 1500 VRMS
 DIELECTRIC WITHSTANDING VOLTAGE, AFTER LIFE: 1000 VRMS
 ROTATIONAL LIFE: 50,000 CYCLES (ONE CYCLE = ONE FULL CLOCKWISE AND ONE FULL COUNTER CLOCKWISE ROTATION)

DESCRIPTION

211-CB-9

DRAWN	P.DORMAN	4-11-08
SCALE	1 = 1	
211-CB-9		
SHEET 1 OF 1		