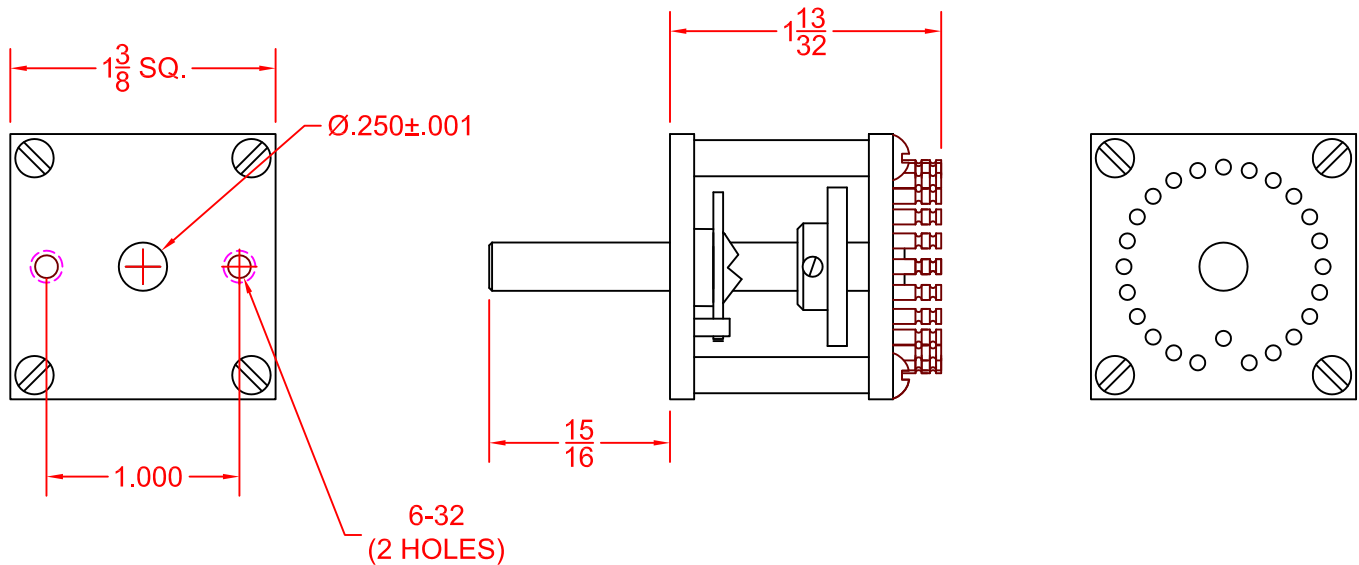


DESCRIPTION

111-BM-23



SHALLCO PART NUMBER 111-BM-23

DESCRIPTION:

NO. OF DECKS: 1
 NO. OF POLES PER DECK: 1
 NUMBER OF POSITIONS: 23
 TYPE ACTION: SHORTING
 ANGLE OF THROW: 15°

ELECTRICAL:

CURRENT CARRY CAPACITY: 10 AMPS
 CURRENT SWITCHING CAPACITY: UP TO 2 AMPS
 CONTACT RESISTANCE: .005 OHMS INITIAL
 INSULATION RESISTANCE: 50,000 MEGOHMS INITIAL
 DIELECTRIC WITHSTANDING VOLTAGE: 1500 VRMS INITIAL

MECHANICAL:

ROTATIONAL LIFE: 50,000 CYCLES MIN. (ONE CYCLE=ONE FULL
 CW AND ONE FULL CCW ROTATION)
 STOP TORQUE: 50 IN-LBS
 CONSTRUCTION: OPEN FRAME
 WIPERS AND CONTACT PANELS: DUAL SILVER ALLOY WIPERS
 EPOXY LAMINATE PANELS WITH .025 SILVER HEADED CONTACTS

DESCRIPTION	111-BM-23	DRAWN	P.DORMAN	7-27-15
		SCALE	1X	
		111-BM-23		
	308 COMPONENTS DRIVE SMITHFIELD, NC 27577 USA	SHEET 1 OF 1		