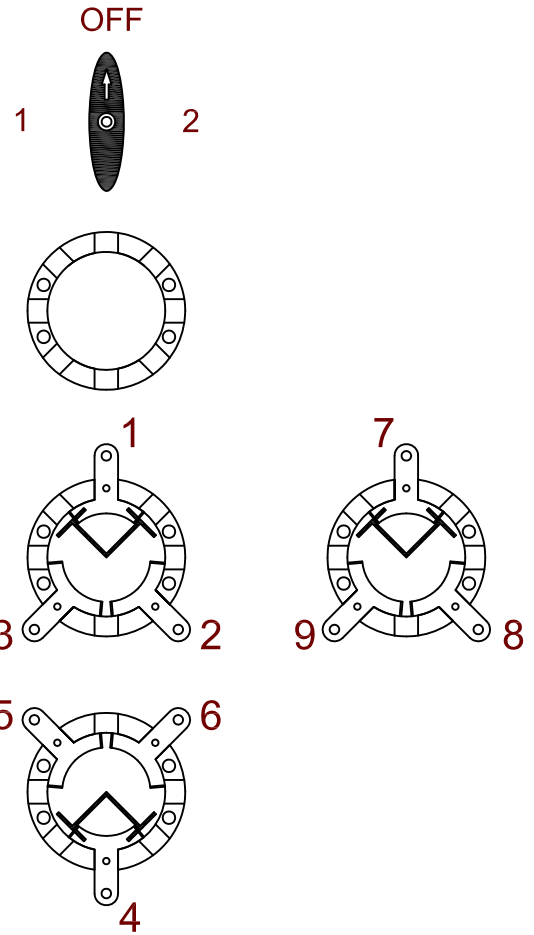


Description: Shallco Series 7 Switch
 -No. of Poles: 3
 -No. of Positions: 2
 -Ratings: 200 Amperes at 600 VAC/250 VDC
 -Contacts: Break before make
 -Dielectric Withstanding Voltage: 2000 VRMS
 -Contact Resistance: 1.5 milliohms maximum



DECK	CONTACTS	POSITION		
		1	OFF	2
1		X		
2		X		
3		X		

CONTACT TABLE

