

PART NUMBER 3F02-4

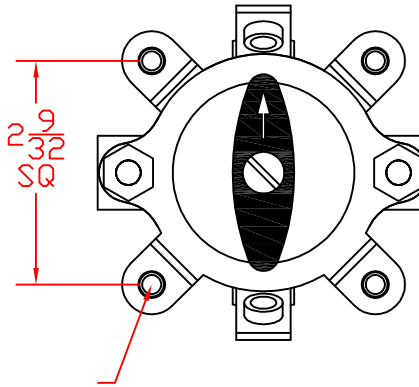


GENERAL: MEETS THE REQUIREMENTS FOR UP TO 30 AMPERES OF SWITCHING OF RESISTIVE LOADS TO .75 POWER FACTOR AT VOLTAGES TO 480 VAC AND 250 VDC

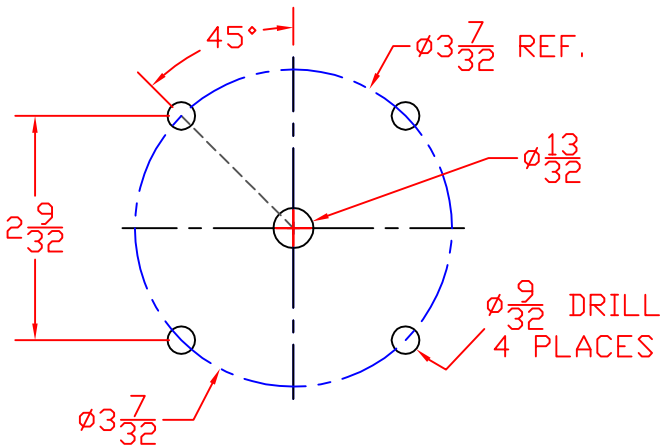
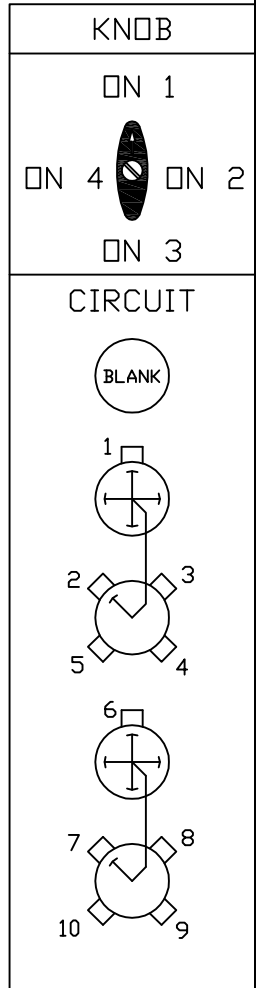
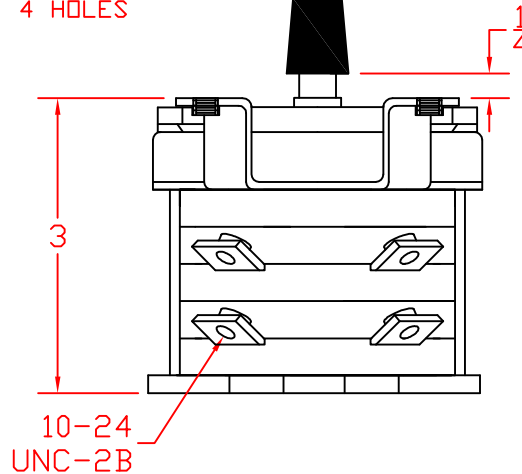
ELECTRICAL:
 VOLTAGE: 480 VAC, 250 VDC
 CARRYING CAPACITY: 45 AMPERES
 SWITCHING CAPACITY: UP TO 30 AMPERES
 DIELECTRIC WITHSTANDING VOLTAGE: 2500 VRMS
 INITIAL CONTACT RESISTANCE: 10 MILLIOHMS MAX. (4 MILLIOHMS AVERAGE)
 INSULATION RESISTANCE: 1000 MEGHOHMS MIN. INITIAL

MECHANICAL:
 POLES: 2
 POSITIONS: 4 (ON1 - ON2 - ON3 - ON4)
 INDEXING: 90°
 CONTACTS: BREAK BEFORE MAKE
 TERMINAL TYPE: SCREW
 CONSTRUCTION: CLOSED

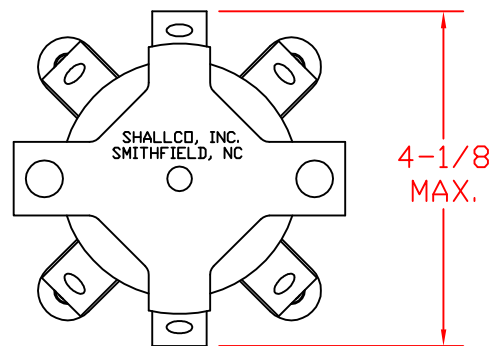
SUPPLIED WITH MOUNTING HARDWARE, TERMINAL SCREWS, AND KNOB



1/4-20 UNC-2B
 4 HOLES



MOUNTING HOLE DETAIL



DESCRIPTION

3F02-4