

PART NUMBER 3E06-4

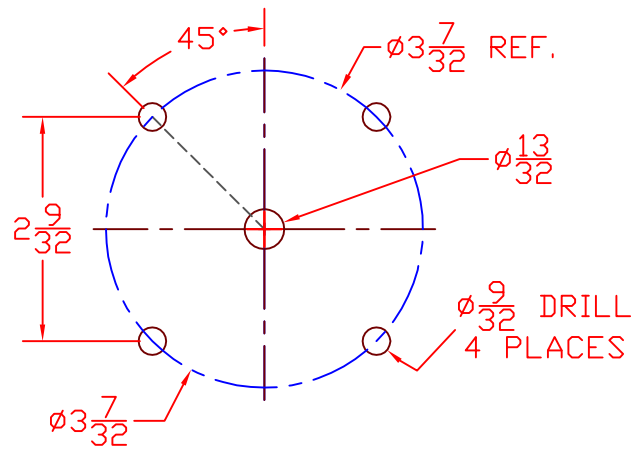
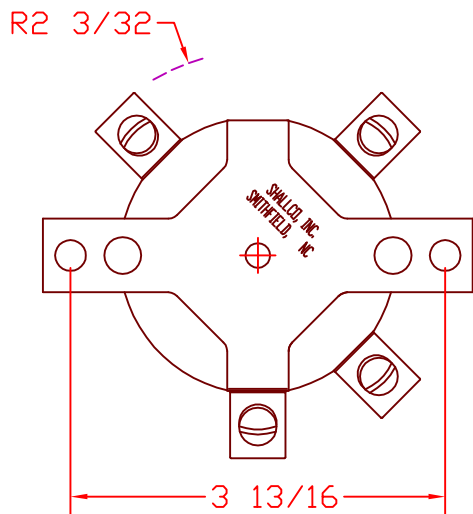
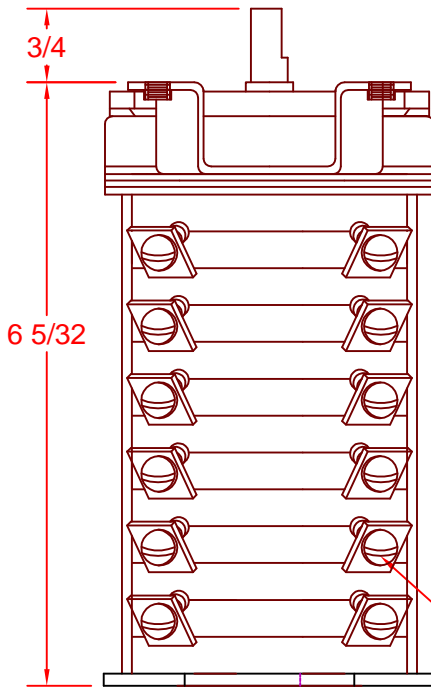
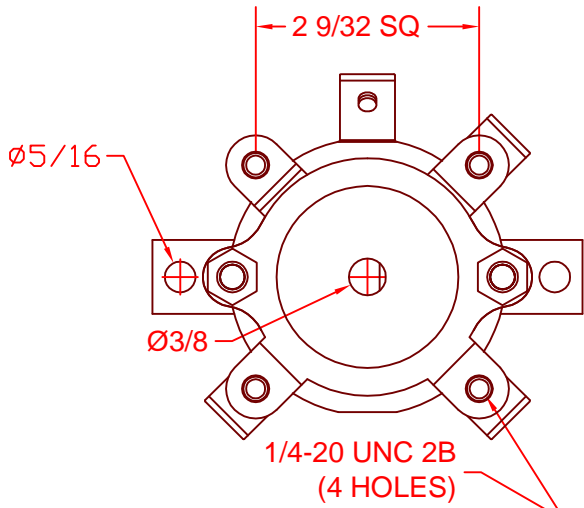
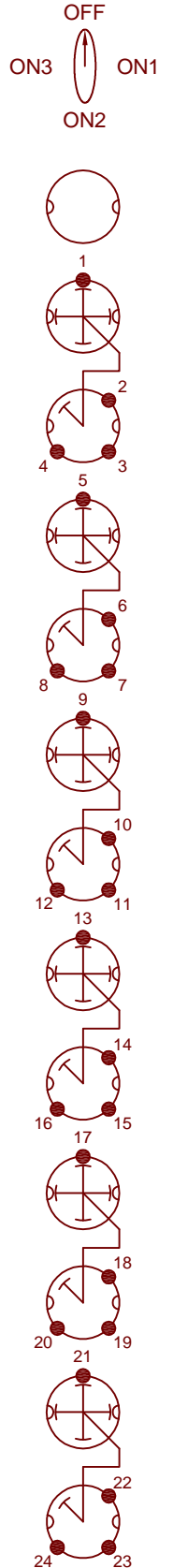
GENERAL: MEETS THE REQUIREMENTS FOR  
10 TO 30 AMPERES OF SWITCHING  
OF RESISTIVE LOADS TO .75 POWER  
FACTOR AT VOLTAGES TO 480 VAC  
AND 250 VDC

ELECTRICAL:  
VOLTAGE: 480 VAC, 250 VDC  
CARRYING CAPACITY: 45 AMPERES  
SWITCHING CAPACITY: UP TO 30 AMPERES  
DIELECTRIC WITHSTANDING VOLTAGE:  
2500 VRMS INITIAL  
CONTACT RESISTANCE: 10 MILLIOHMS MAX.  
(4 MILLIOHMS AVERAGE)  
INSULATION RESISTANCE: 1000 MEGOHMS  
MIN. INITIAL

MECHANICAL:  
POLES: 6  
POSITIONS: 4 (OFF-ON-ON-ON)  
INDEXING: 90°  
CONTACTS: BREAK BEFORE MAKE  
TERMINAL TYPE: SCREW  
CONSTRUCTION: CLOSED

SUPPLIED WITH MOUNTING HARDWARE,  
TERMINAL SCREWS, AND KNOB

KNOB ORIENTATION



MOUNTING HOLE DETAIL

DESCRIPTION

3E06-4