

PART NUMBER 3D02-3

GENERAL: MEETS THE REQUIREMENTS FOR UP TO 30 AMPERES OF SWITCHING OF RESISTIVE LOADS TO .75 POWER FACTOR AT VOLTAGES TO 480 VAC AND 250 VDC

ELECTRICAL:

VOLTAGE: 480 VAC, 250 VDC

CARRYING CAPACITY: 45 AMPERES

SWITCHING CAPACITY: UP TO 30 AMPERES

DIELECTRIC WITHSTANDING VOLTAGE: 2500 Vrms (INITIAL)

CONTACT RESISTANCE: 10 MILLIOHMS MAX.
(4 MILLIOHMS AVERAGE)

INSULATION RESISTANCE: 1000 MEGHOHMS MIN. (INITIAL)

MECHANICAL:

POLES: 2

POSITIONS: 3 (ON - OFF - ON)

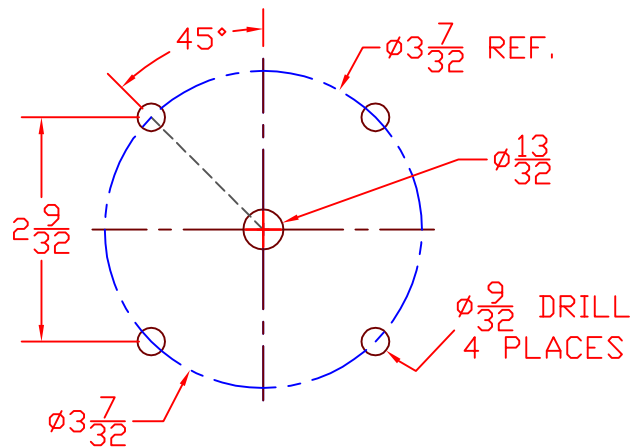
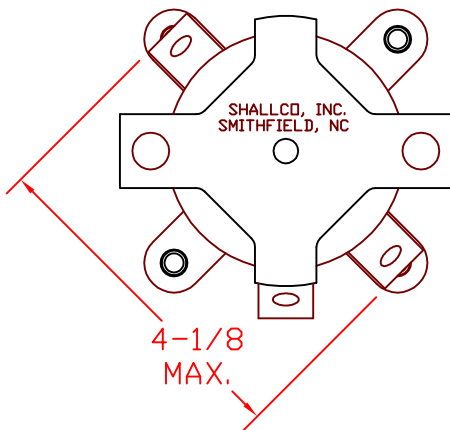
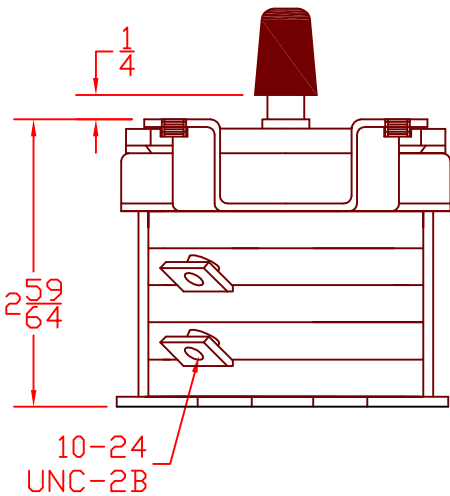
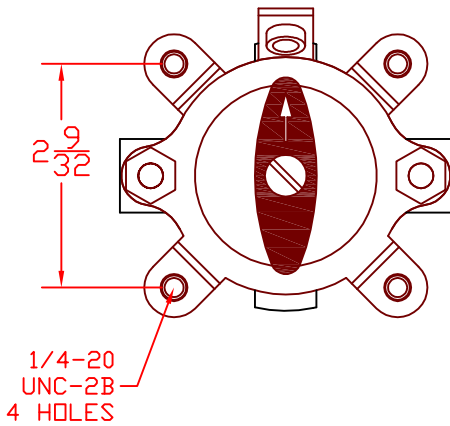
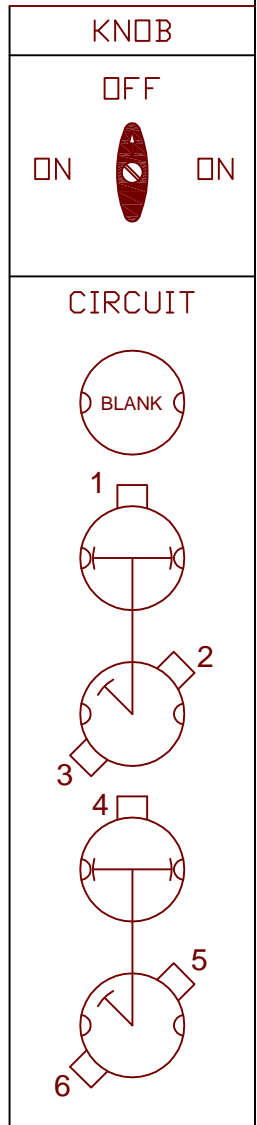
INDEXING: 90°

CONTACTS: BREAK BEFORE MAKE

TERMINAL TYPE: SCREW

CONSTRUCTION: CLOSED

SUPPLIED WITH MOUNTING HARDWARE, TERMINAL SCREWS, AND KNOB



MOUNTING HOLE DETAIL

DESCRIPTION

3D02-3