

SHALLCO SERIES 3 SNAP ACTION SWITCH



PART NUMBER: 3C02-3

GENERAL: MEETS THE REQUIREMENTS FOR 10 TO 30 AMPERES OF SWITCHING OF RESISTIVE LOADS TO .75 POWER FACTOR AT VOLTAGES TO 480 VAC AND 250 VDC

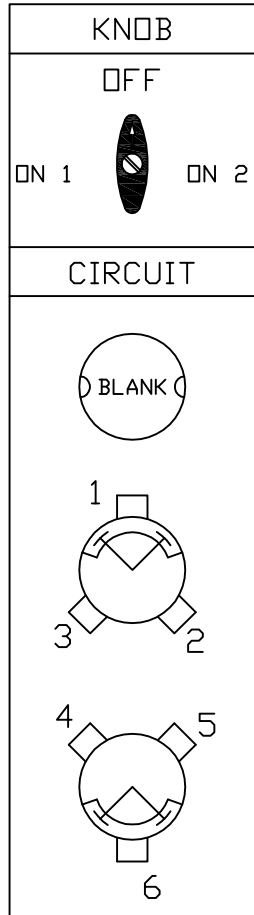
ELECTRICAL:

VOLTAGE: 480 VAC, 250 VDC  
 CARRYING CAPACITY: 45 AMPERES  
 SWITCHING CAPACITY: UP TO 30 AMPERES  
 DIELECTRIC WITHSTANDING VOLTAGE: 2500 VRMS INITIAL  
 CONTACT RESISTANCE: 10 MILLIOHMS MAX. (4 MILLIOHMS AVERAGE)  
 INSULATION RESISTANCE: 1000 MEGHOHMS MIN. INITIAL

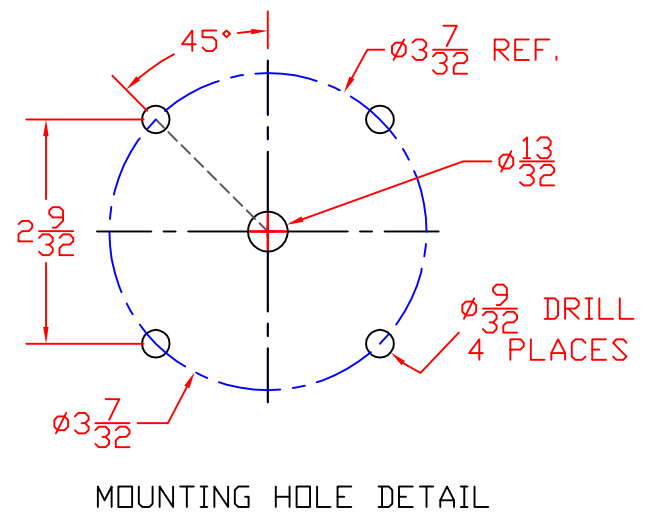
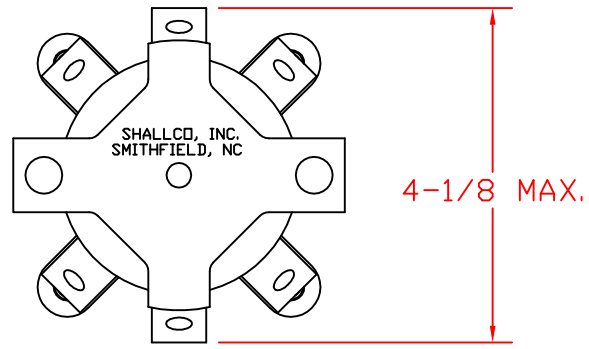
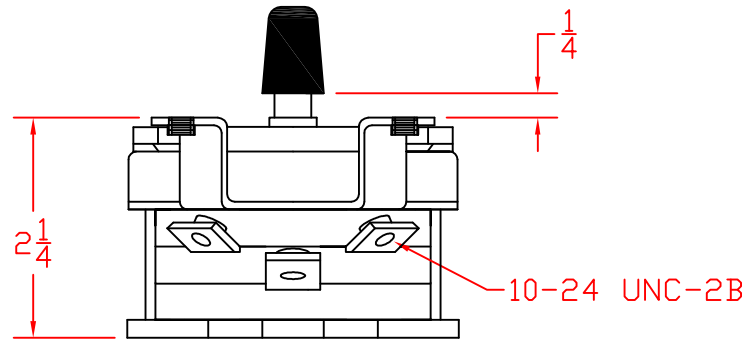
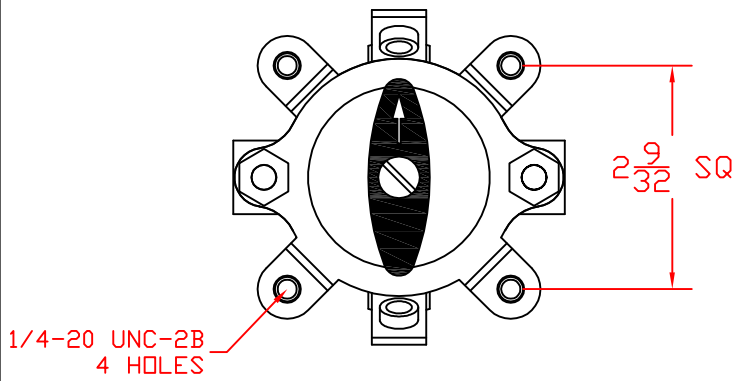
MECHANICAL:

POLES: 2      POSITIONS: 3 (ON - OFF - ON)  
 INDEXING: 90°      CONTACTS: BREAK BEFORE MAKE  
 TERMINAL TYPE: SCREW      CONSTRUCTION: CLOSED

SUPPLIED WITH MOUNTING HARDWARE, TERMINAL SCREWS, AND KNOB



DECK	CONTACTS	POS.	
		ON 1	ON 2
1			X
2		X	



DESCRIPTION	3C02-3	REV A
-------------	--------	-------