

# PART NUMBER 3B03-2



## ELECTRICAL:

### ELECTRICAL:

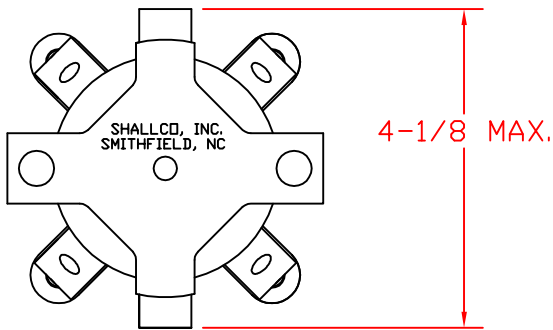
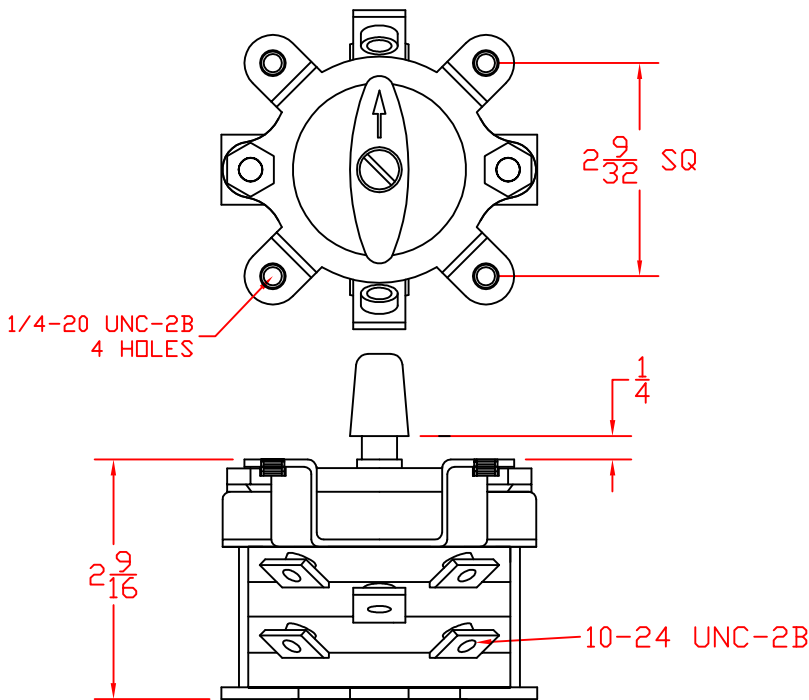
VOLTAGE: 500 VAC, 250 VDC  
 CARRYING CAPACITY: 45 AMPERES  
 SWITCHING CAPACITY: UP TO 30 AMPERES

DIELECTRIC WITHSTANDING VOLTAGE: 2500 VRMS INITIAL  
 CONTACT RESISTANCE: 10 MILLIOHMS MAX. (4 MILLIOHMS AVERAGE)  
 INSULATION RESISTANCE: 1000 MEGHOHMS MIN. INITIAL

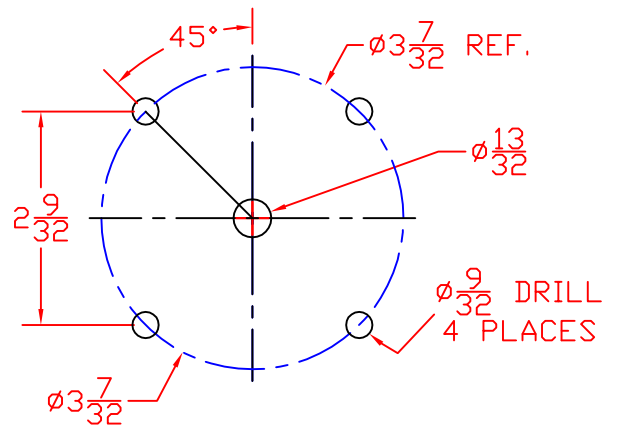
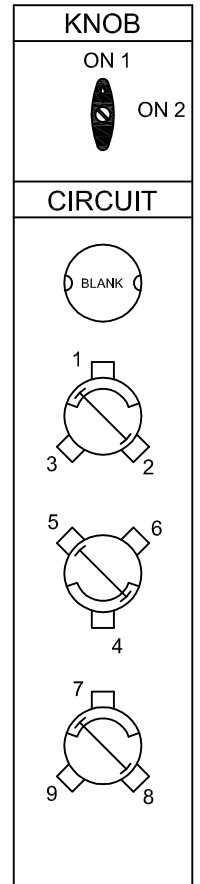
## MECHANICAL:

POLES: 3  
 POSITIONS: 2  
 INDEXING: 90°  
 CONTACTS: BREAK BEFORE MAKE  
 TERMINAL TYPE: SCREW CONSTRUCTION: CLOSED

SUPPLIED WITH MOUNTING HARDWARE,  
 TERMINAL SCREWS, AND KNOB



DECK	CONTACTS	POS.	
		1	2
1	1 ○ — — ○ 2  — — ○ 3	X	
2	4 ○ — — ○ 5  — — ○ 6	X	
3	7 ○ — — ○ 8  — — ○ 9	X	



## DESCRIPTION

**3B03-2**

REV. A



308 COMPONENTS DRIVE  
 SMITHFIELD, NC 27577 USA

## MOUNTING HOLE DETAIL