

PART NUMBER 3B08-2A SR

GENERAL: MEETS THE REQUIREMENTS FOR 10 TO 30 AMPERES OF SWITCHING OF RESISTIVE LOADS TO .75 POWER FACTOR AT VOLTAGES TO 480 VAC AND 250 VDC

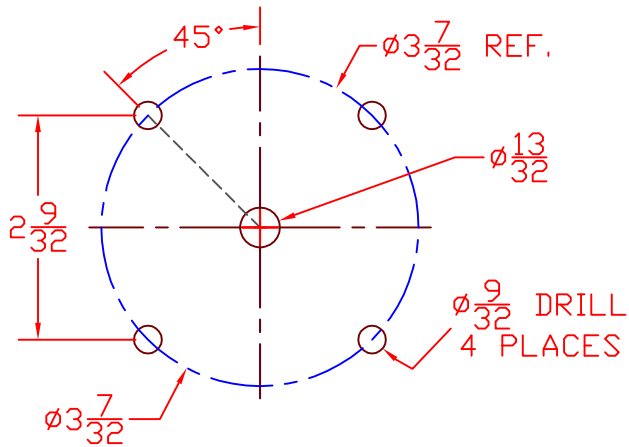
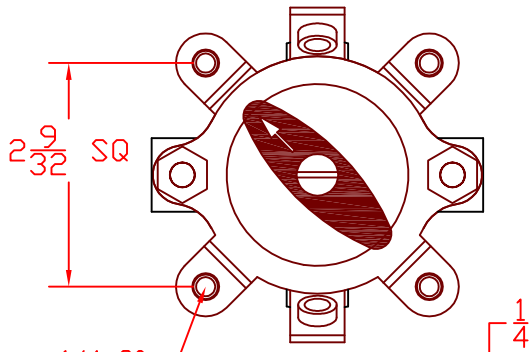
ELECTRICAL:

VOLTAGE: 480 VAC, 250 VDC
 CARRYING CAPACITY: 45 AMPERES SWITCHING CAPACITY: UP TO 30 AMPERES
 DIELECTRIC WITHSTANDING VOLTAGE: 2500 VRMS INITIAL
 CONTACT RESISTANCE: 10 MILLIOHMS MAX. (4 MILLIOHMS AVERAGE)
 INSULATION RESISTANCE: 1000 MEGHOHMS MIN. INITIAL

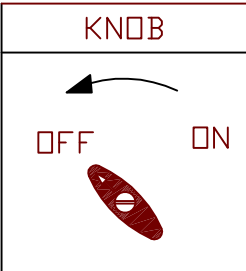
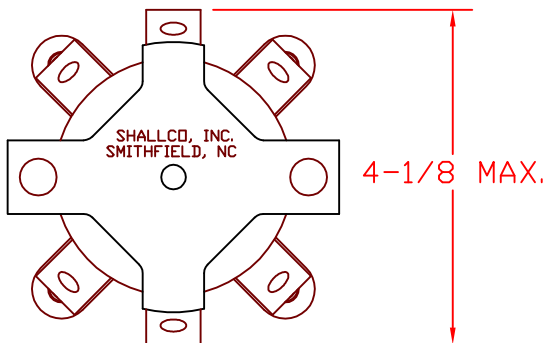
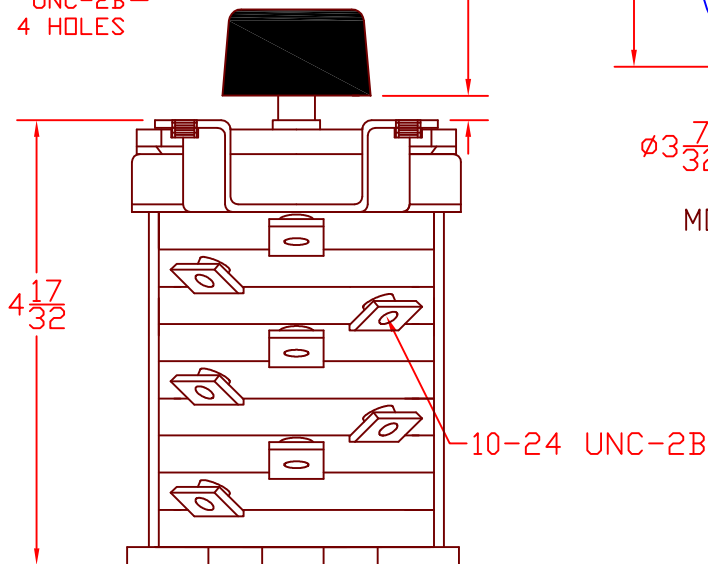
MECHANICAL:

POLES: 8 POSITIONS: 2 MOMENTARY ON - OFF)
 INDEXING: 90° CONTACTS: BREAK BEFORE MAKE
 TERMINAL TYPE: SCREW CONSTRUCTION: CLOSED

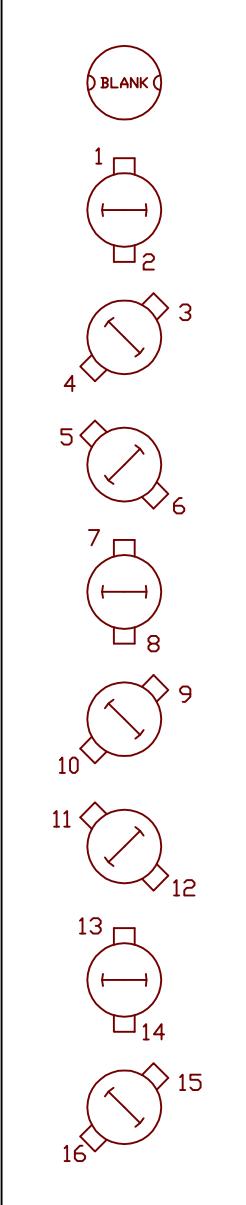
SUPPLIED WITH MOUNTING HARDWARE, TERMINAL SCREWS, AND KNOB



MOUNTING HOLE DETAIL



CIRCUIT



DESCRIPTION 3A08-2A SR