

GENERAL: MEETS THE REQUIREMENTS FOR 10 TO 30 AMPERES OF SWITCHING OF RESISTIVE LOADS TO .75 POWER FACTOR AT VOLTAGES TO 480 VAC AND 250 VDC

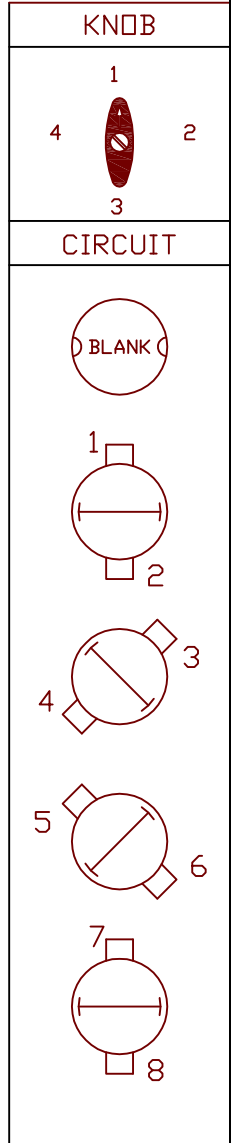
ELECTRICAL:

VOLTAGE: 480 VAC, 250 VDC
 CARRYING CAPACITY: 45 AMPERES SWITCHING CAPACITY: UP TO 30 AMPERES
 DIELECTRIC WITHSTANDING VOLTAGE: 2500 VRMS INITIAL
 CONTACT RESISTANCE: 10 MILLIOHMS MAX. (<4 MILLIOHMS AVERAGE)
 INSULATION RESISTANCE: 1000 MEGOHMS MIN. INITIAL

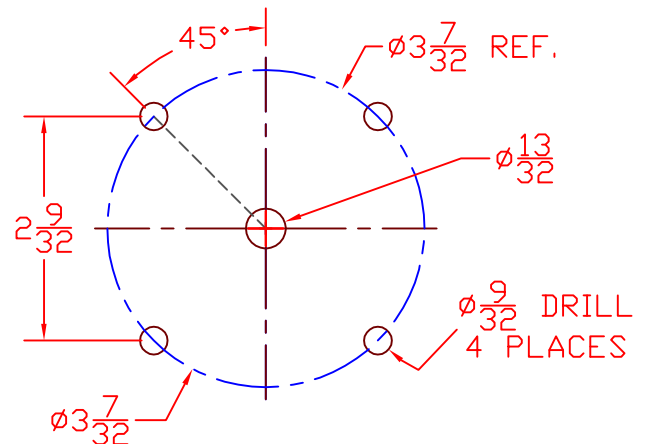
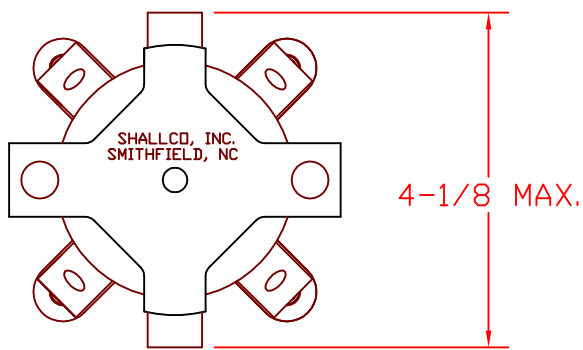
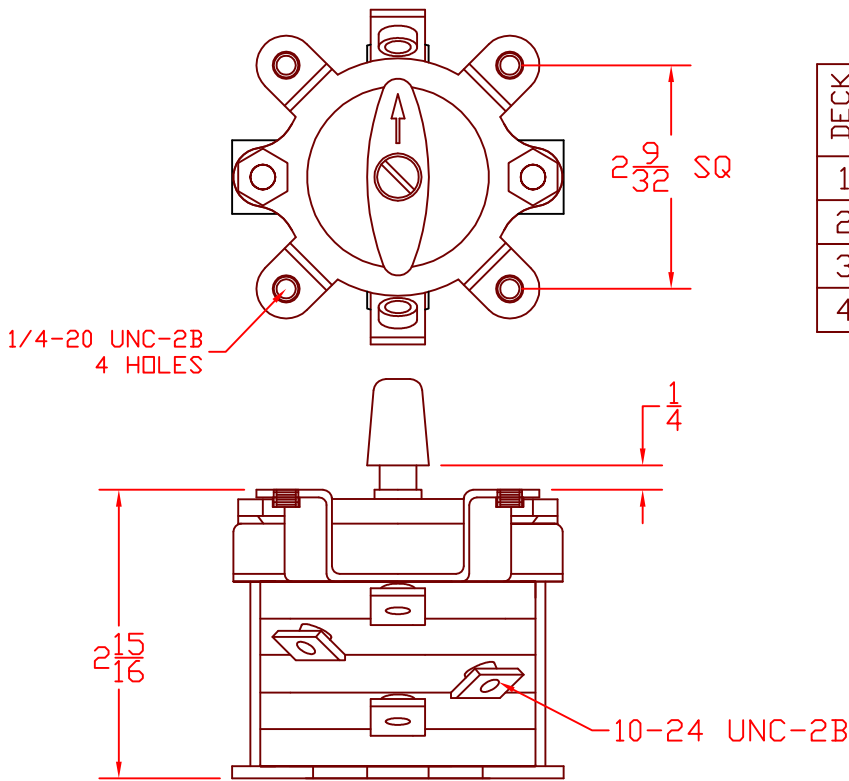
MECHANICAL:

POLES: 4 POSITIONS: 4
 INDEXING: 90° CONTACTS: BREAK BEFORE MAKE
 TERMINAL TYPE: SCREW CONSTRUCTION: CLOSED

SUPPLIED WITH MOUNTING HARDWARE, TERMINAL SCREWS, AND KNOB



DECK	CONTACTS	POS.			
		1	2	3	4
1	1 ○ — — 2		X		X
2	3 ○ — — 4		X		X
3	5 ○ — — 6		X		X
4	7 ○ — — 8		X		X



DESCRIPTION

3A04-4

REV. -

MOUNTING HOLE DETAIL