

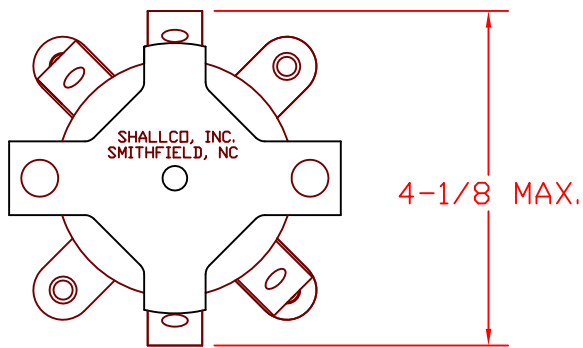
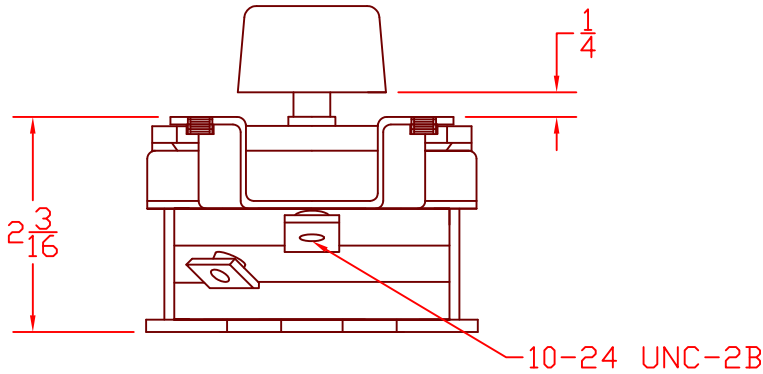
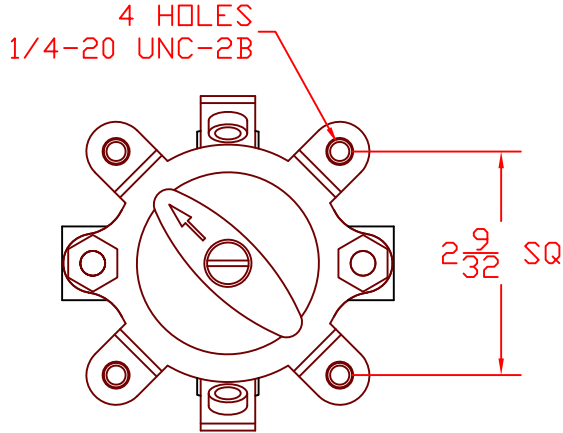
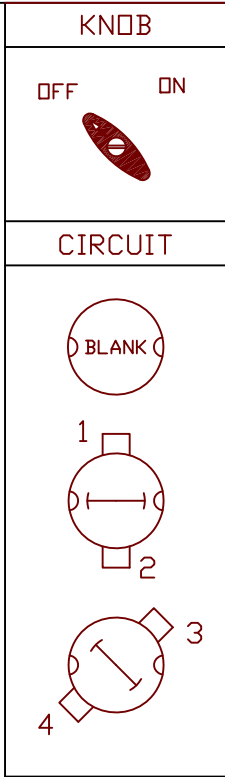
PART NUMBER 3A02-2A

GENERAL: MEETS THE REQUIREMENTS FOR 10 TO 30 AMPERES OF SWITCHING OF RESISTIVE LOADS TO .75 POWER FACTOR AT VOLTAGES TO 480 VAC AND 250 VDC

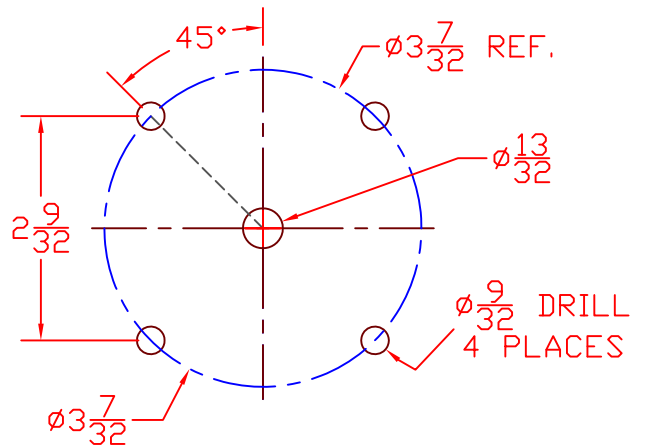
ELECTRICAL:  
 VOLTAGE: 480 VAC, 250 VDC  
 CARRYING CAPACITY: 45 AMPERES SWITCHING CAPACITY: UP TO 30 AMPERES  
 DIELECTRIC WITHSTANDING VOLTAGE: 2500 VRMS INITIAL  
 CONTACT RESISTANCE: 10 MILLIOHMS MAX. (4 MILLIOHMS AVERAGE)  
 INSULATION RESISTANCE: 1000 MEGOHMS MIN. INITIAL

MECHANICAL:  
 POLES: 2 POSITIONS: 2  
 INDEXING: 90° CONTACTS: BREAK BEFORE MAKE  
 TERMINAL TYPE: SCREW CONSTRUCTION: CLOSED

SUPPLIED WITH MOUNTING HARDWARE, TERMINAL SCREWS, AND KNOB



DECK	CONTACTS	POS.	
		1	2
1	1 ○ —   — ○ 2		X
2	3 ○ —   — ○ 4		X



MOUNTING HOLE DETAIL

REVISION	DESCRIPTION	DRAWN	P. DORMAN	4-4-06
	3A02-2A	SCALE:	.5X	
	<b>SHALLCO</b> 308 COMPONENTS DRIVE SMITHFIELD, NC 27577 USA	A	3B04-2A	
		SHEET 1 OF 1		