

PART NUMBER 1E04-4



**ELECTRICAL:**

**RATINGS (UL):**

16A @ 250 VAC 16A @ 250 VDC  
7.5A @ 600 VAC  
3 / 4 HP @ 240 VAC

VOLTAGE: 600 VAC, 250 VDC

SWITCHING CAPACITY: UP TO 16 AMPERES

DIELECTRIC WITHSTANDING VOLTAGE: 2500 VRMS INITIAL

CONTACT RESISTANCE: 10 MILLIOHMS MAX. (4 MILLIOHMS AVERAGE)

INSULATION RESISTANCE: 1000 MEGHOHMS MIN. INITIAL

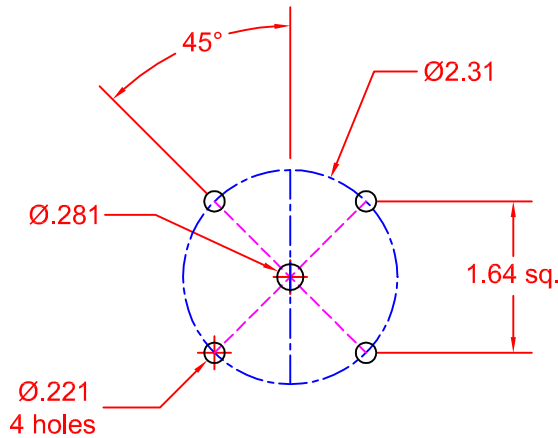
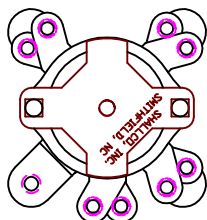
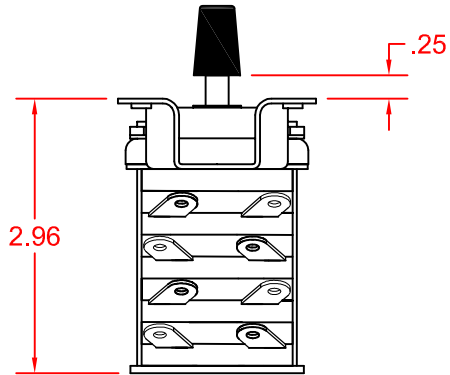
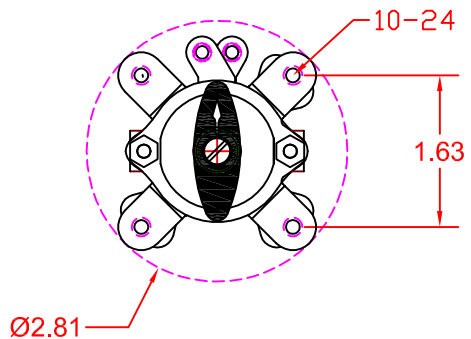
**MECHANICAL:**

POLES: 4 POSITIONS: 4 (OFF-ON-ON-ON)

INDEXING: 90° CONTACTS: BREAK BEFORE MAKE

TERMINAL TYPE: SCREW CONSTRUCTION: CLOSED

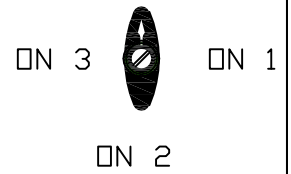
SUPPLIED WITH TERMINAL SCREWS AND KNOB



MOUNTING DETAIL

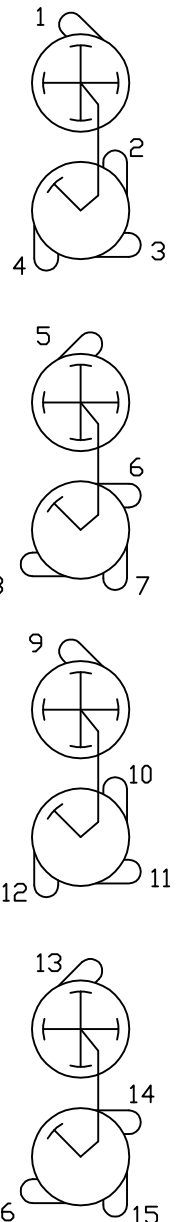
KNOB

OFF



CIRCUIT

BLANK



DESCRIPTION

1E04-4