

PART NUMBER 1E04-3

ELECTRICAL:

RATINGS (UL):

16A @ 250 VAC 16A @ 250 VDC

7.5A @ 600 VAC

3 /4 HP @ 240 VAC

VOLTAGE: 600 VAC, 250 VDC

SWITCHING CAPACITY: UP TO 16 AMPERES

DIELECTRIC WITHSTANDING VOLTAGE: 2500 VRMS INITIAL

CONTACT RESISTANCE: 10 MILLIOHMS MAX. (4 MILLIOHMS AVERAGE)

INSULATION RESISTANCE: 1000 MEGHOHMS MIN. INITIAL

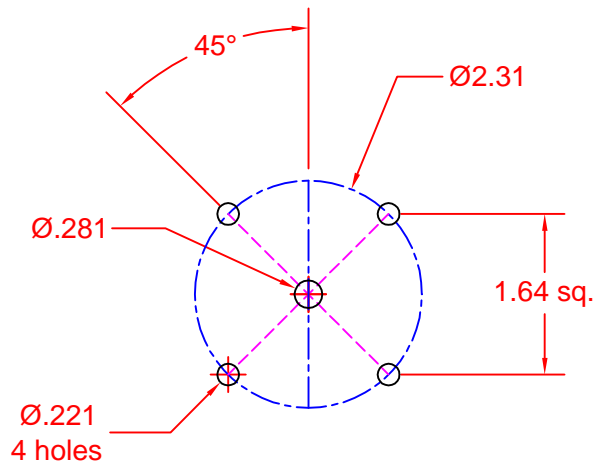
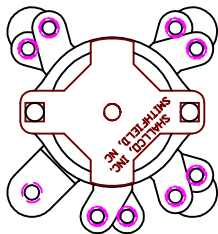
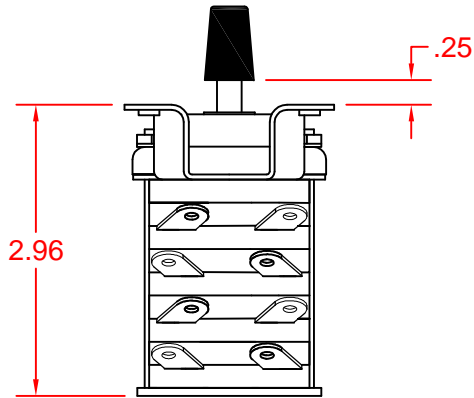
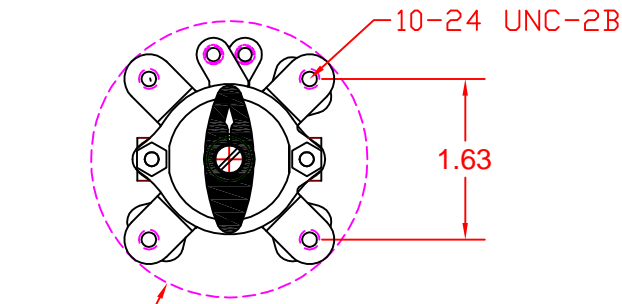
MECHANICAL:

POLES: 4 POSITIONS: 3 (ON-ON-ON)

INDEXING: 90° CONTACTS: BREAK BEFORE MAKE

TERMINAL TYPE: SCREW CONSTRUCTION: CLOSED

SUPPLIED WITH TERMINAL SCREWS AND KNOB



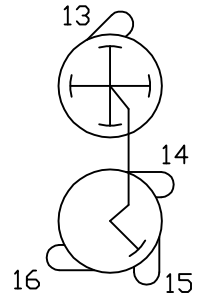
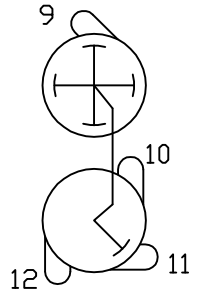
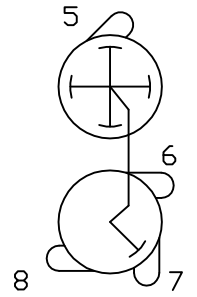
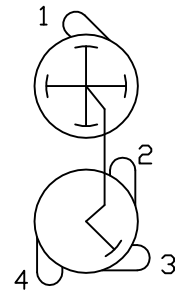
MOUNTING DETAIL

KNOB

ON 2



CIRCUIT



DESCRIPTION

1E04-3