

PART NUMBER: 1C06-3

ELECTRICAL:

RATINGS (UL):

16A @ 250 VAC 16A @ 250 VDC
7.5A @ 600 VAC
3/4 HP @ 240 VAC

VOLTAGE: 600 VAC, 250 VDC

SWITCHING CAPACITY: UP TO 16 AMPERES

DIELECTRIC WITHSTANDING VOLTAGE: 2500 VRMS INITIAL

CONTACT RESISTANCE: 10 MILLIOHMS MAX. (4 MILLIOHMS AVERAGE)

INSULATION RESISTANCE: 1000 MEGHOHMS MIN. INITIAL

MECHANICAL:

POLES: 6

INDEXING: 90°

TERMINAL TYPE: SCREW

SWITCHING: NON-SHORTING

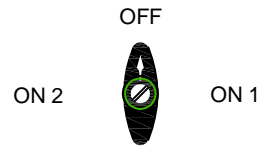
POSITIONS: 3 (ON-OFF-ON)

CONTACTS: BREAK BEFORE MAKE

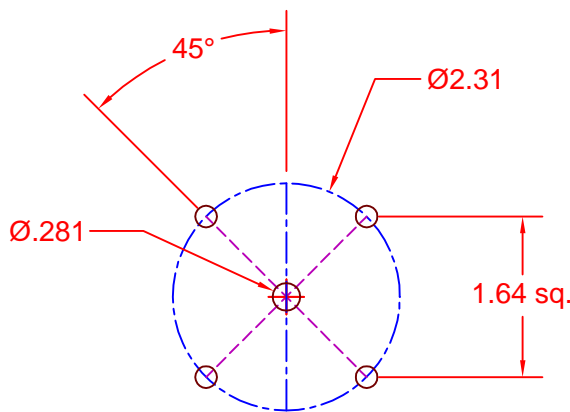
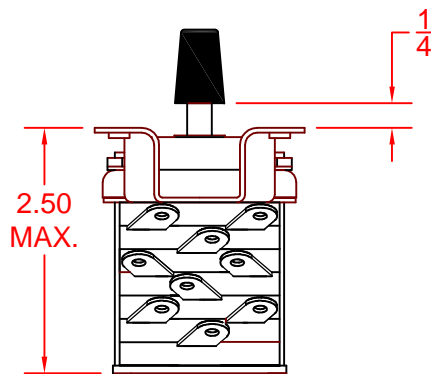
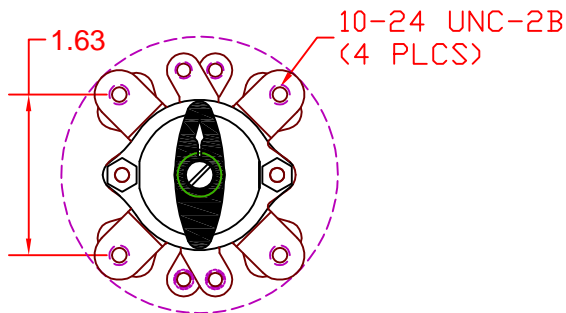
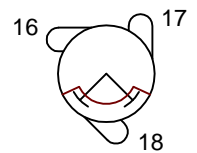
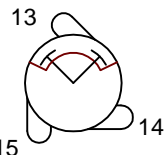
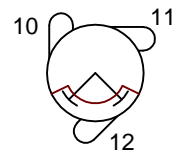
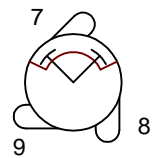
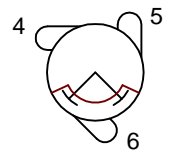
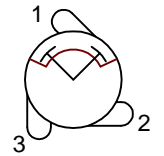
CONSTRUCTION: CLOSED

SUPPLIED WITH TERMINAL SCREWS AND KNOB

KNOB



CIRCUIT



MOUNTING DETAIL

DESCRIPTION

1C06-3



308 COMPONENTS DRIVE
SMITHFIELD, NC 27577 USA