

PART NUMBER: 1B06-2A



ELECTRICAL:

RATINGS (UL):

16A @ 250 VAC 16A @ 250 VDC

7.5A @ 600 VAC

3 / 4 HP @ 240 VAC

VOLTAGE: 600 VAC, 250 VDC

SWITCHING CAPACITY: UP TO 16 AMPERES

DIELECTRIC WITHSTANDING VOLTAGE: 2500 VRMS INITIAL

CONTACT RESISTANCE: 10 MILLIOHMS MAX. (4 MILLIOHMS AVERAGE)

INSULATION RESISTANCE: 1000 MEGOHMS MIN. INITIAL

MECHANICAL:

POLES: 6

POSITIONS: 2 (ON1-ON2)

INDEXING: 90°

CONTACTS: BREAK BEFORE MAKE

TERMINAL TYPE: SCREW

CONSTRUCTION: CLOSED

SWITCHING: NON-SHORTING

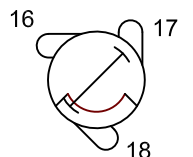
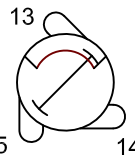
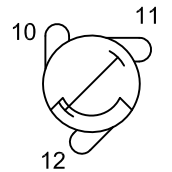
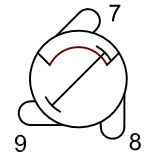
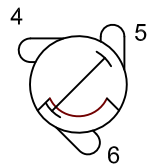
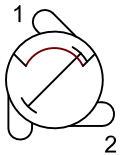
SUPPLIED WITH TERMINAL SCREWS AND KNOB

KNOB

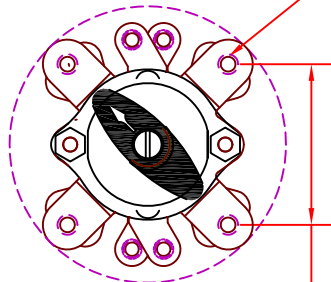
ON 1 ON 2



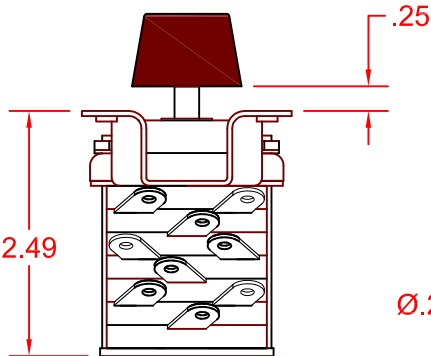
CIRCUIT



10-24 UNC-2B
(4 PLCS)

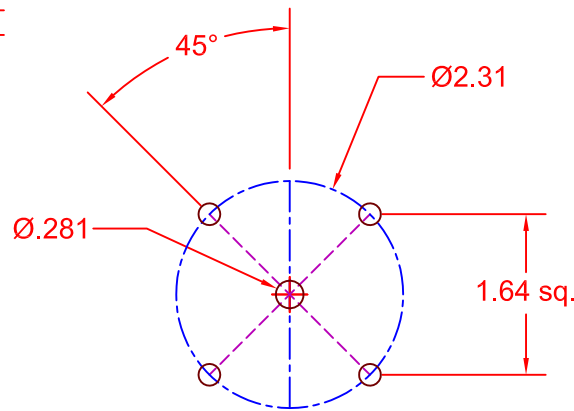


1.64

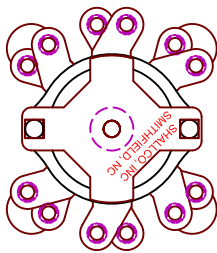


.25

2.49



MOUNTING DETAIL



PART NUMBER

1B06-2A



308 COMPONENTS DRIVE
SMITHFIELD, NC 27577 USA