

PART NUMBER: 1B06-2



ELECTRICAL:

RATINGS (UL):

16A @ 250 VAC    16A @ 250 VDC

7.5A @ 600 VAC

3 /4 HP @ 240 VAC

VOLTAGE: 600 VAC, 250 VDC

SWITCHING CAPACITY: UP TO 16 AMPERES

DIELECTRIC WITHSTANDING VOLTAGE: 2500 VRMS INITIAL

CONTACT RESISTANCE: 10 MILLIOHMS MAX. (4 MILLIOHMS AVERAGE)

INSULATION RESISTANCE: 1000 MEGOHMS MIN. INITIAL

MECHANICAL:

POLES: 6

POSITIONS: 2 (ON-ON)

INDEXING: 90°

CONTACTS: BREAK BEFORE MAKE

TERMINAL TYPE: SCREW

CONSTRUCTION: CLOSED

SWITCHING: NON-SHORTING

SUPPLIED WITH TERMINAL SCREWS AND KNOB

KNOB

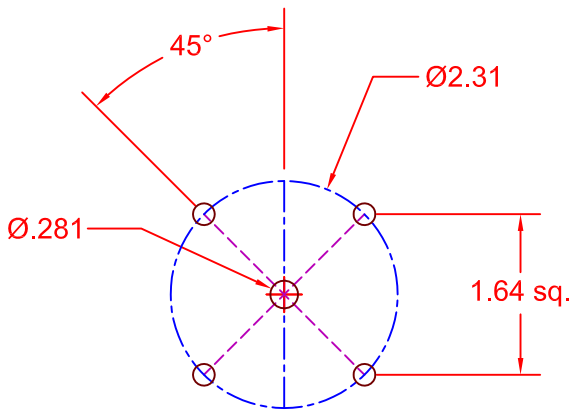
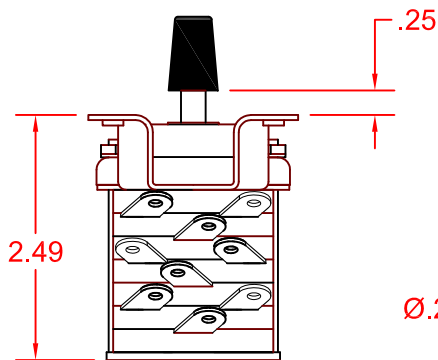
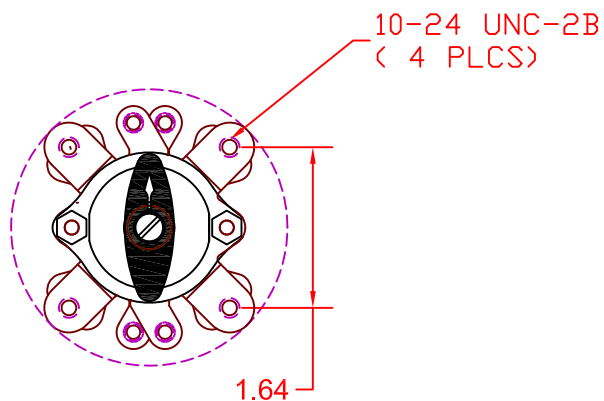
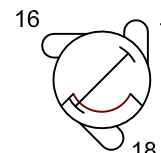
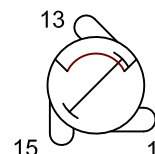
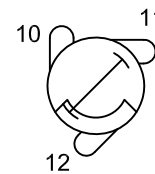
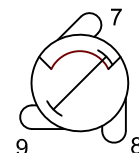
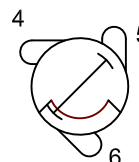
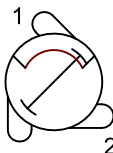
ON 1



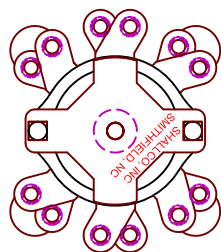
ON 2

CIRCUIT

BLANK



MOUNTING DETAIL



PART NUMBER

1B06-2



308 COMPONENTS DRIVE  
SMITHFIELD, NC 27577 USA