

PART NUMBER: 1B04-2



**ELECTRICAL:**

**RATINGS (UL):**

16A @ 250 VAC    16A @ 250 VDC  
 7.5A @ 600 VAC  
 3 / 4 HP @ 240 VAC



VOLTAGE: 600 VAC, 250 VDC

SWITCHING CAPACITY: UP TO 16 AMPERES

DIELECTRIC WITHSTANDING VOLTAGE: 2500 VRMS INITIAL

CONTACT RESISTANCE: 10 MILLIOHMS MAX. (4 MILLIOHMS AVERAGE)

INSULATION RESISTANCE: 1000 MEGHOHMS MIN. INITIAL

**MECHANICAL:**

POLES: 4

POSITIONS: 2 (ON-ON)

INDEXING: 90°

CONTACTS: BREAK BEFORE MAKE

TERMINAL TYPE: SCREW

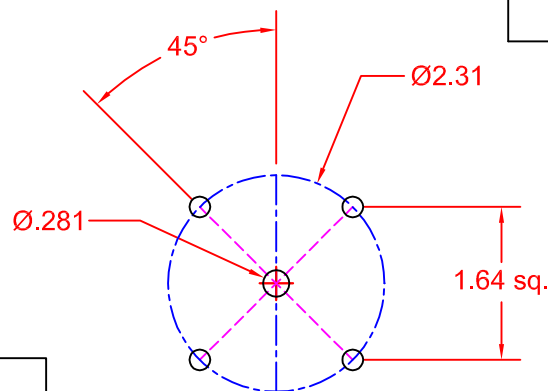
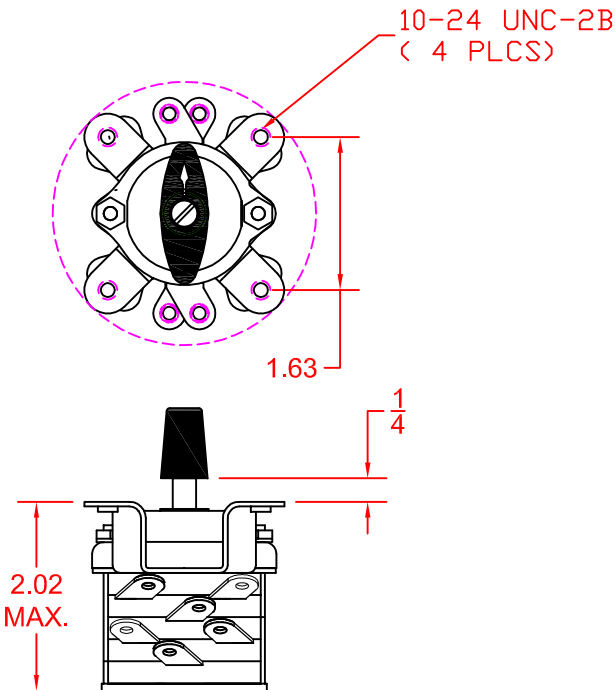
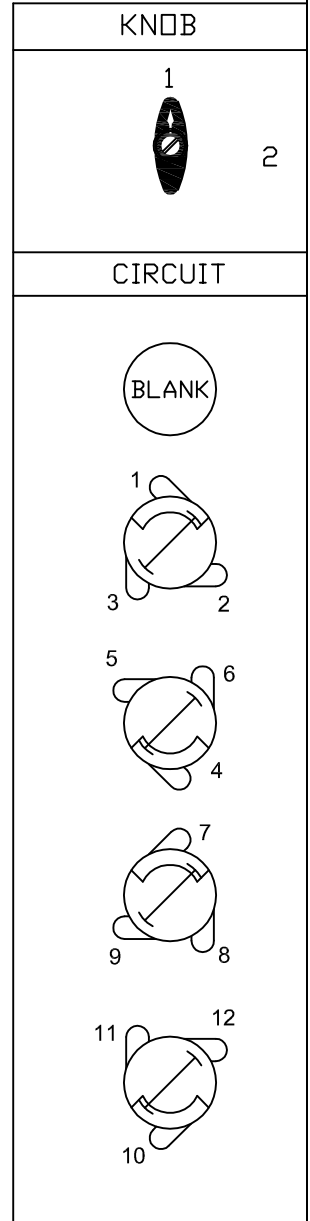
CONSTRUCTION: CLOSED

SWITCHING: NON-SHORTING

SUPPLIED WITH TERMINAL SCREWS AND KNOB

**CONTACT TABLE**

DECK	CONTACTS	POS	
		1	2
1	1		
	2		
2	3		
	4		
3	5		
	6		
4	7		
	8		
5	9		
	10		
6	11		
	12		



MOUNTING DETAIL

DESCRIPTION

1B04-2



308 COMPONENTS DRIVE  
 SMITHFIELD, NC 27577 USA