

SHALLCO SERIES 1 SNAP ACTION SWITCH



PART NUMBER: 1B03-2A

ELECTRICAL:

RATINGS (UL):

16A @ 250 VAC 16A @ 250 VDC
 7.5A @ 600 VAC
 3/4 HP @ 240 VAC

VOLTAGE: 600 VAC, 250 VDC

SWITCHING CAPACITY: UP TO 16 AMPERES

DIELECTRIC WITHSTANDING VOLTAGE: 2500 VRMS INITIAL

CONTACT RESISTANCE: 10 MILLIOHMS MAX. (4 MILLIOHMS AVERAGE)

INSULATION RESISTANCE: 1000 MEGHOHMS MIN. INITIAL

MECHANICAL:

POLES: 3

POSITIONS: 2 (ON-ON)

INDEXING: 90°

CONTACTS: BREAK BEFORE MAKE

TERMINAL TYPE: SCREW CONSTRUCTION: CLOSED

SWITCHING: NON- SHORTING

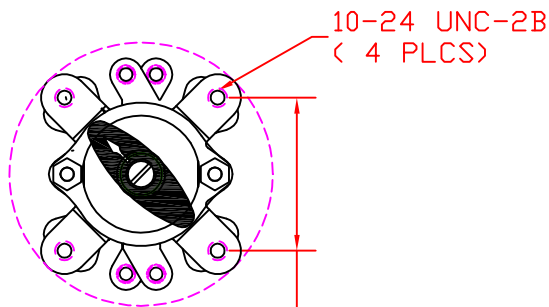
SUPPLIED WITH TERMINAL SCREWS AND KNOB

KNOB

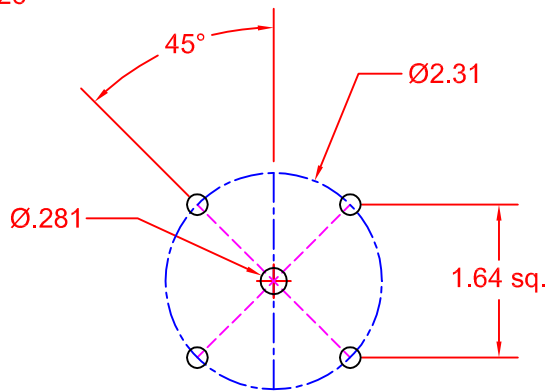
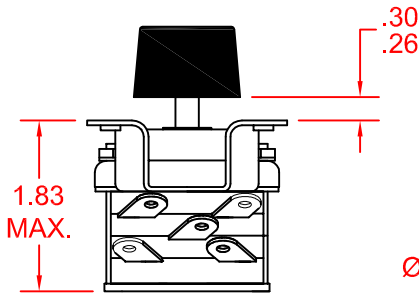
ON 1 ON 2

CIRCUIT

BLANK



DECK	CONTACTS	POS	
		1	2
1		X	X
2		X	X
3		X	X



MOUNTING DETAIL

DESCRIPTION

1B03-2A

REV. -



308 COMPONENTS DRIVE
 SMITHFIELD, NC 27577 USA