

SHALLCO SERIES 1 SNAP ACTION SWITCH



PART NUMBER: 1B01-2

ELECTRICAL:

RATINGS (UL): 16A @ 250 VAC
 16A @ 250 VDC
 7.5A @ 600 VAC
 3/4 HP @ 240 VAC

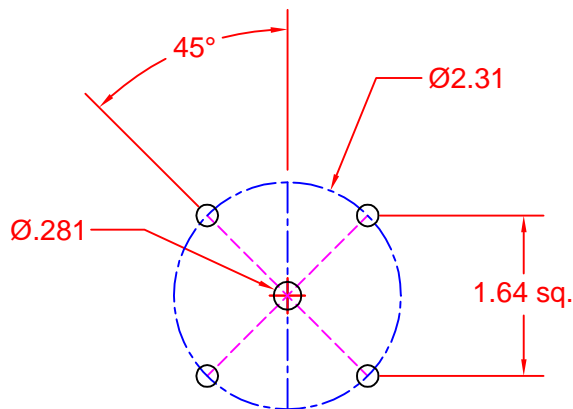
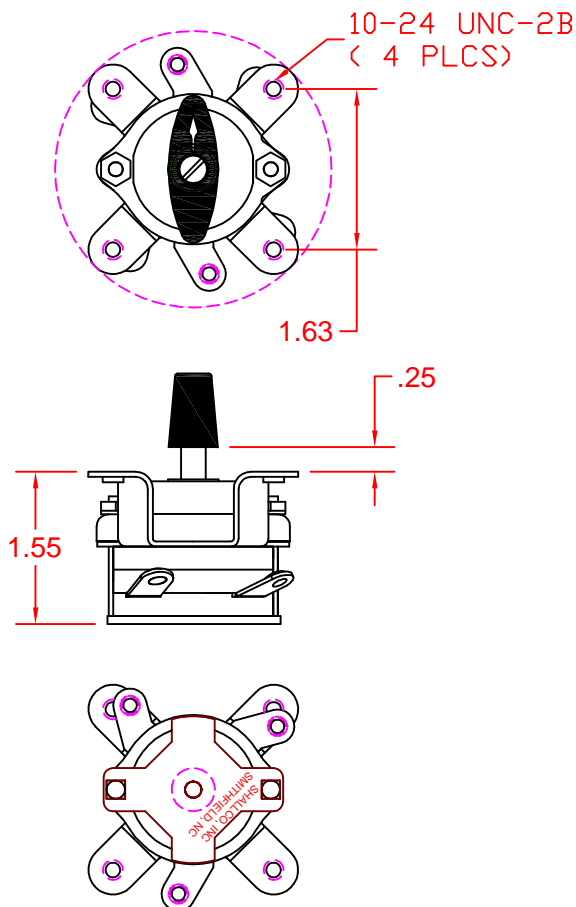
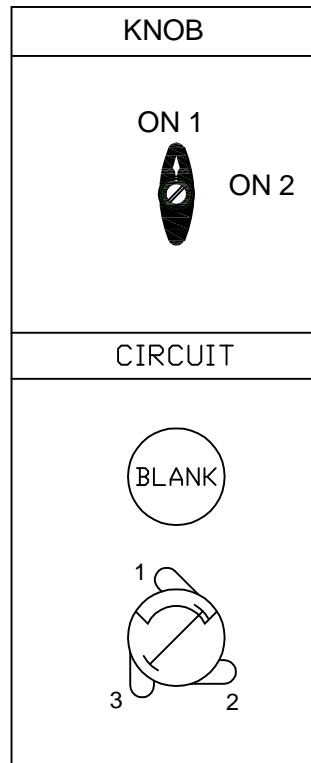


VOLTAGE: 600 VAC, 250 VDC
 SWITCHING CAPACITY: UP TO 16 AMPERES
 DIELECTRIC WITHSTANDING VOLTAGE: 2500 VRMS INITIAL
 CONTACT RESISTANCE: 10 MILLIOHMS MAX. (4 MILLIOHMS AVERAGE)
 INSULATION RESISTANCE: 1000 MEGHOHMS MIN. INITIAL

MECHANICAL:

POLES: 1
 POSITIONS: 2 (ON-ON)
 INDEXING: 90°
 CONTACTS: BREAK BEFORE MAKE
 TERMINAL TYPE: SCREW
 CONSTRUCTION: CLOSED
 SWITCHING: NON-SHORTING

SUPPLIED WITH TERMINAL SCREWS AND KNOB



MOUNTING DETAIL

PART NUMBER

1B01-2



308 COMPONENTS DRIVE
 SMITHFIELD, NC 27577 USA