

PART NUMBER 1A08-4



ELECTRICAL:



RATINGS (UL):

16A @ 250 VAC 16A @ 250 VDC
7.5A @ 600 VAC
3/4 HP @ 240 VAC

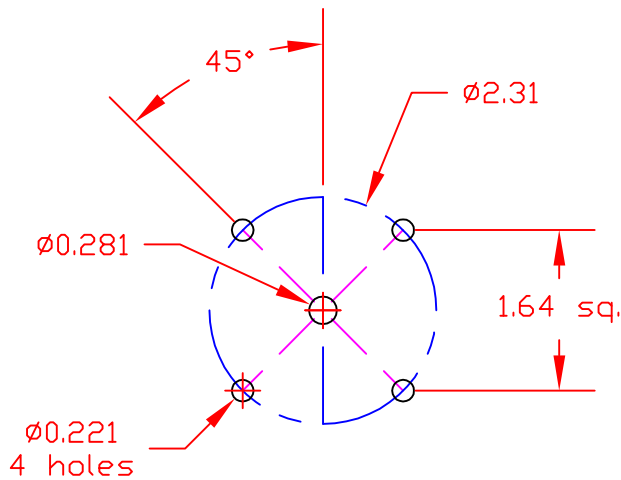
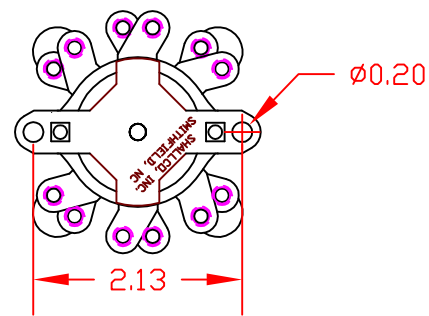
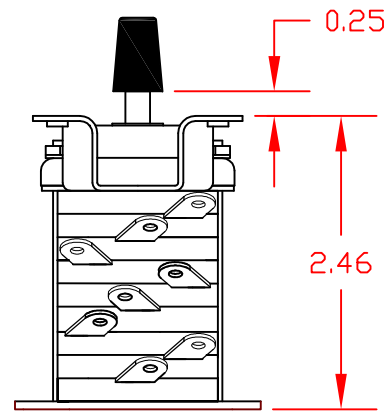
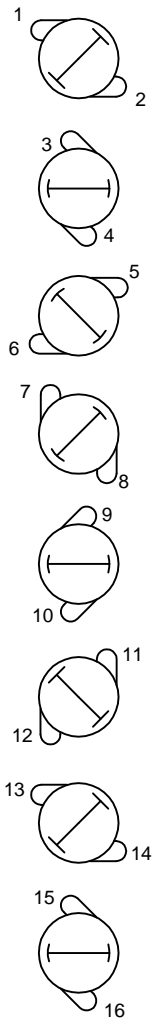
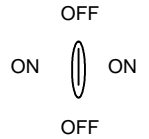
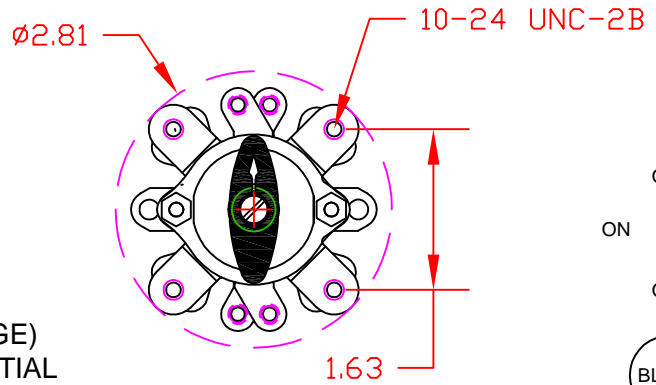
VOLTAGE: 600 VAC, 250 VDC
SWITCHING CAPACITY: UP TO 16 AMPERES
DIELECTRIC WITHSTANDING VOLTAGE:
2500 VRMS INITIAL

CONTACT RESISTANCE:
10 MILLIOHMS MAX. (4 MILLIOHMS AVERAGE)
INSULATION RESISTANCE: 1000 MEGHOHMS MIN. INITIAL

MECHANICAL:

POLES: 8
POSITIONS: 4 OFF-ON-OFF-ON
INDEXING: 90°
CONTACTS: BREAK BEFORE MAKE
TERMINAL TYPE: SCREW
CONSTRUCTION: CLOSED

SUPPLIED WITH TERMINAL SCREWS AND KNOB



MOUNTING DETAIL

PART NUMBER

1A08-4



308 COMPONENTS DRIVE
SMITHFIELD, NC 27577 USA