

PART NUMBER: 1A04-2A

**ELECTRICAL:**

**RATINGS (UL):**

16A @ 250 VAC 16A @ 250 VDC  
 7.5A @ 600 VAC  
 3/4 HP @ 240 VACZ

VOLTAGE: 600 VAC, 250 VDC

SWITCHING CAPACITY: UP TO 16 AMPERES

DIELECTRIC WITHSTANDING VOLTAGE: 2500 VRMS INITIAL

CONTACT RESISTANCE: 10 MILLIOHMS MAX. (4 MILLIOHMS AVERAGE)

INSULATION RESISTANCE: 1000 MEGHOHMS MIN. INITIAL

**MECHANICAL:**

POLES: 4

INDEXING: 90°

TERMINAL TYPE: SCREW

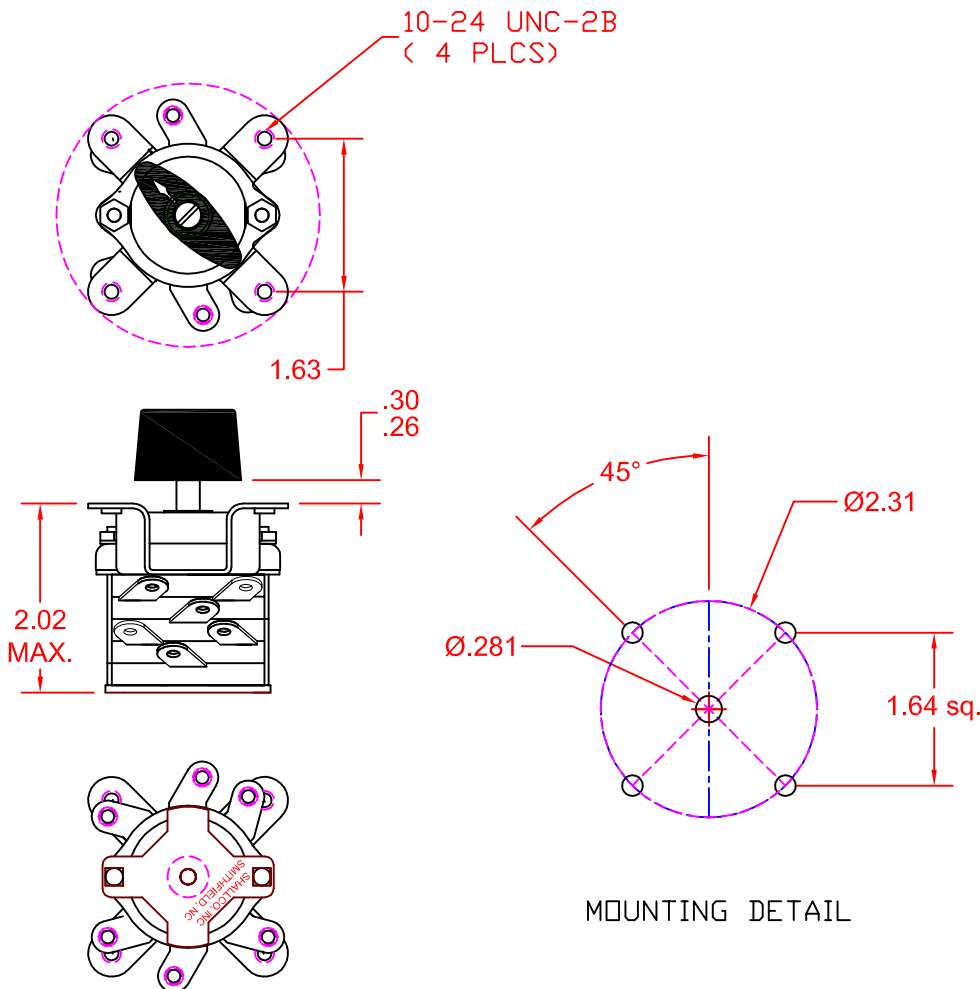
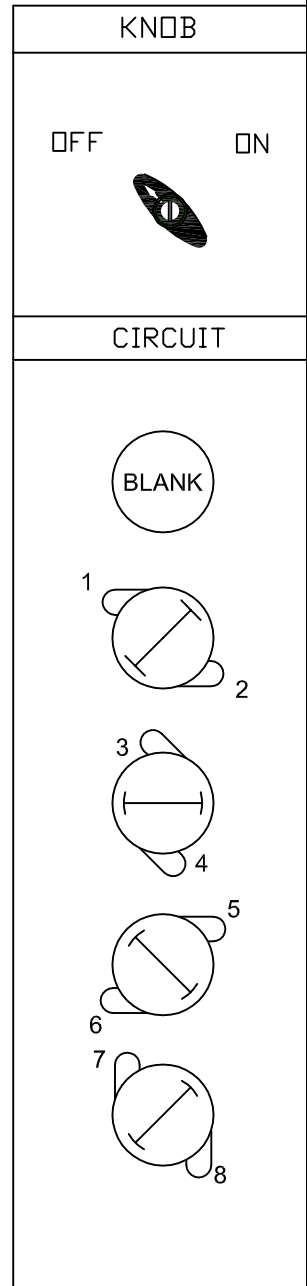
SWITCHING: NON-SHORTING

POSITIONS: 2 (OFF-ON)

CONTACTS: BREAK BEFORE MAKE

CONSTRUCTION: CLOSED

SUPPLIED WITH TERMINAL SCREWS AND KNOB



DESCRIPTION

1A04-2A

REV. -