

PART NUMBER 3A01-2

GENERAL: MEETS THE REQUIREMENTS FOR 10 TO 30 AMPERES OF SWITCHING OF RESISTIVE LOADS TO .75 POWER FACTOR AT VOLTAGES TO 480 VAC AND 250 VDC

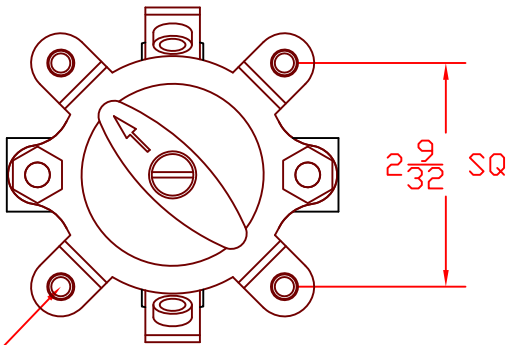
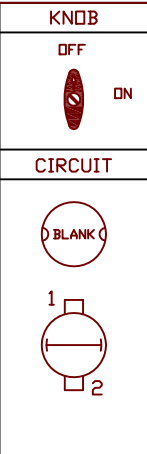
ELECTRICAL:

VOLTAGE: 480 VAC, 250 VDC  
 CARRYING CAPACITY: 45 AMPERES SWITCHING CAPACITY: UP TO 30 AMPERES  
 DIELECTRIC WITHSTANDING VOLTAGE: 2500 VRMS INITIAL  
 CONTACT RESISTANCE: 10 MILLIOHMS MAX. (4 MILLIOHMS AVERAGE)  
 INSULATION RESISTANCE: 1000 MEGOHMS MIN. INITIAL

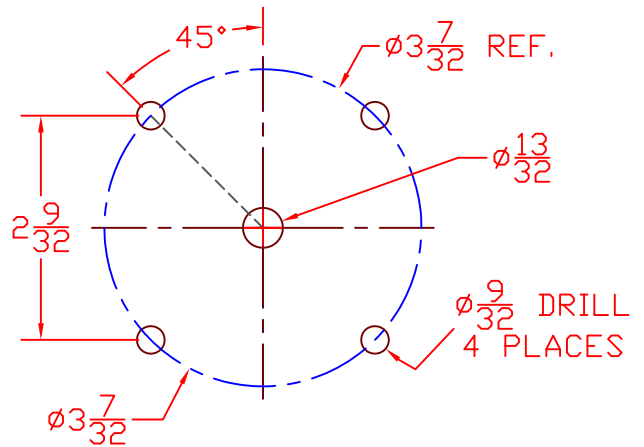
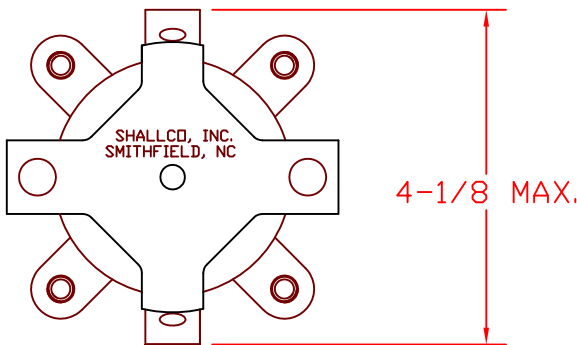
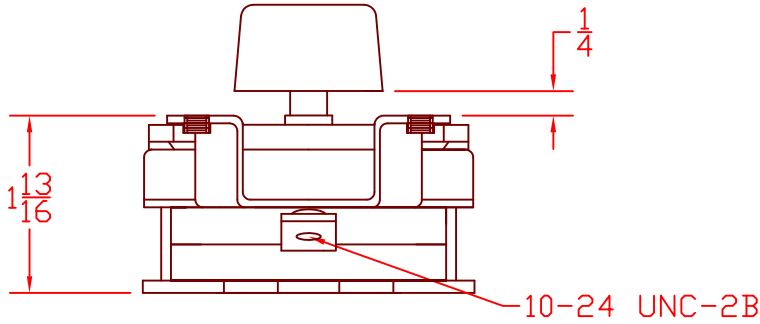
MECHANICAL:

POLES: 1 POSITIONS: 2  
 INDEXING: 90° CONTACTS: BREAK BEFORE MAKE  
 TERMINAL TYPE: SCREW CONSTRUCTION: CLOSED

SUPPLIED WITH MOUNTING HARDWARE, TERMINAL SCREWS, AND KNOB



DECK	CONTACTS	POS.	
		1	2
1	1 O —   — O 2		X



MOUNTING HOLE DETAIL

DESCRIPTION	3A01-2	DRAWN	P. DORMAN	4-4-06
		SCALE:	.5X	
		A	3A01-2	
		SHEET 1 OF 1		



308 COMPONENTS DRIVE  
 SMITHFIELD, NC 27577 USA