

ELECTRICAL:

RATINGS (UL):

- 16A @ 250 VAC 16A @ 250 VDC
- 7.5A @ 600 VAC
- 3/4 HP @ 240 VAC

VOLTAGE: 600 VAC, 250 VDC

SWITCHING CAPACITY: UP TO 16 AMPERES

DIELECTRIC WITHSTANDING VOLTAGE: 2500 VRMS INITIAL

CONTACT RESISTANCE: 10 MILLIOHMS MAX. (4 MILLIOHMS AVERAGE)

INSULATION RESISTANCE: 1000 MEGHOHMS MIN. INITIAL

MECHANICAL:

POLES: 2

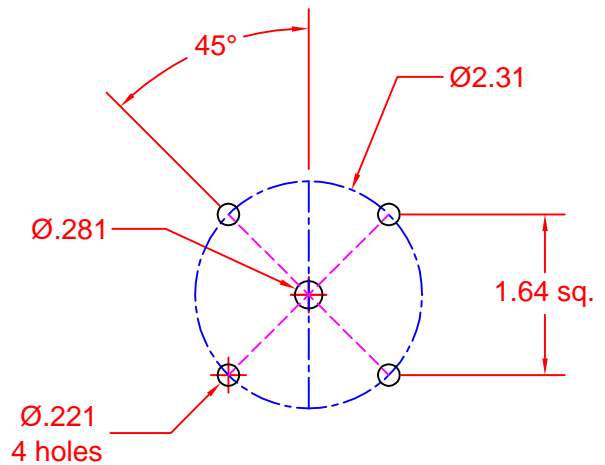
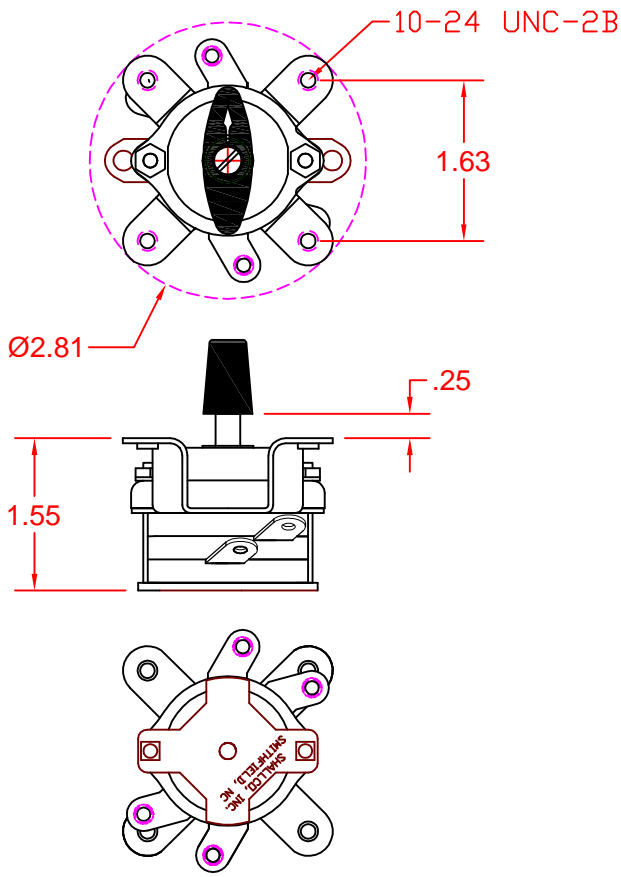
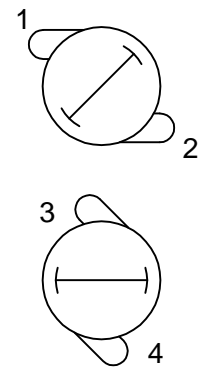
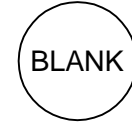
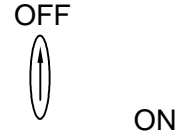
POSITIONS: 2 (OFF-ON, MAINTAINED)

INDEXING: 90° CONTACTS: BREAK BEFORE MAKE

TERMINAL TYPE: SCREW CONSTRUCTION: CLOSED

SUPPLIED WITH TERMINAL SCREWS AND KNOB

DECK	CONTACTS	POS	
		OFF	ON
1	1 2		X
2	3 4		X



DESCRIPTION **1A02-2**