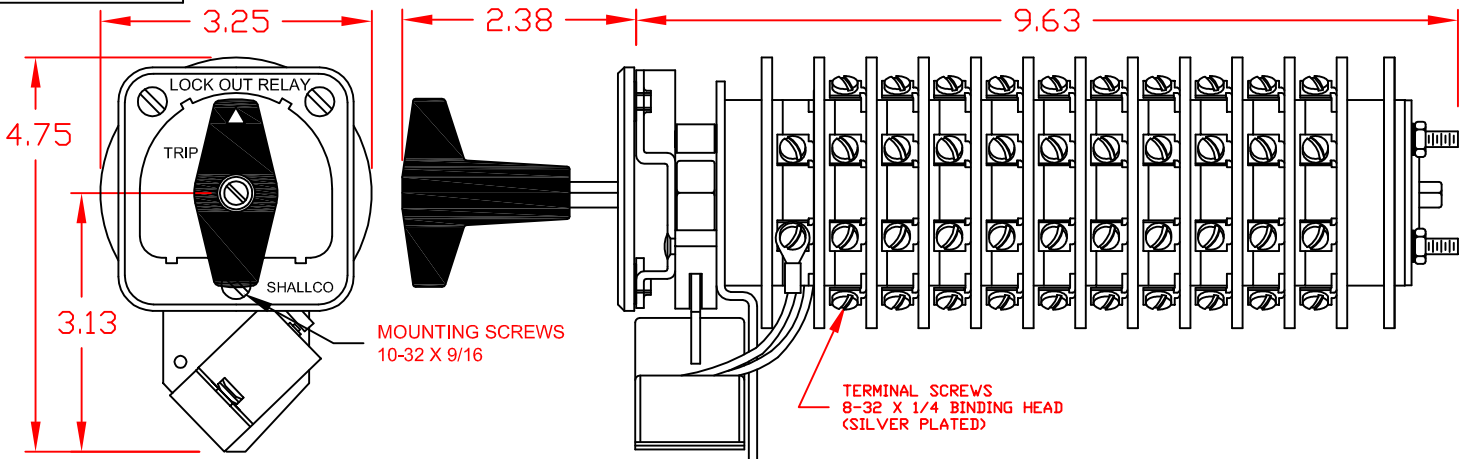


7610D



SPECIFICATIONS:

NO. OF POSITIONS: 2, TRIP AND RESET
 NO. OF SECTIONS: 10
 CONTACTS: 2 NORMALLY OPEN
 2 NORMALLY CLOSED
 PER DECK
 ACTION: 45° POSITIVE TRIP DETENT
 STATIONARY CONTACTS : SILVER OVER COPPER
 NAMEPLATE: AS SHOWN

COIL SPECIFICATIONS:

OPERATING VOLTAGE: 125 VDC / 120 VAC
 THRESHOLD VOLTAGE: 16 VDC / 20 VAC
 OPERATING RANGE: 30 - 140 VDC / 30 - 140 VAC
 CURRENT AT RATED VOLTAGE: 4.6 / 4.4 AMPS

ELECTRICAL RATINGS:

25 A/120 VAC 3 A/ 125 VDC
 15 A/240 VAC 1 A/ 250 VDC
 6 A/600 VAC

OVERLOAD CURRENT (50 OPERATIONS):

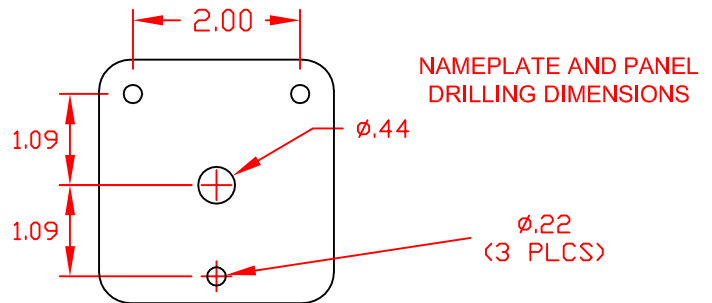
95 A/120 VAC
 65 A/240 VAC
 35 A/600 VAC

DIELECTRIC STRENGTH: 2200 VRMS

INSULATION RESISTANCE: 100 MEGOHMS INITIAL

CONTACT RESISTANCE: 10 MILLIOHMS MAX. INITIAL

DECK	CONTACTS	POSITION	
		TRIP	RESET
1	11 — — 13		X
	12 — — 18	X	
	15 — — 17		X
	16 — — 14	X	
	21 — — 23		X
2	22 — — 28	X	
	25 — — 27		X
	26 — — 24	X	
	31 — — 33		X
3	32 — — 38	X	
	35 — — 37		X
	36 — — 34	X	
4	41 — — 43		X
	42 — — 48	X	
	45 — — 47		X
	46 — — 44	X	
5	51 — — 53		X
	52 — — 58	X	
	55 — — 57		X
	56 — — 54	X	
6	61 — — 63		X
	62 — — 68	X	
	65 — — 67		X
	66 — — 64	X	
7	71 — — 73		X
	72 — — 78	X	
	75 — — 77		X
	76 — — 74	X	
8	81 — — 83		X
	82 — — 88	X	
	85 — — 87		X
9	86 — — 84	X	
	91 — — 93		X
	92 — — 98	X	
	95 — — 97		X
10	96 — — 94	X	
	101 — — 103		X
	102 — — 108	X	
	105 — — 107		X
	106 — — 104	X	



LOCK-OUT RELAY SPECIFICATION SHEET

7610D



308 COMPONENTS DRIVE
 SMITHFIELD, NC 27577 USA

REV.B

ADDITIONAL INFO ON BACK